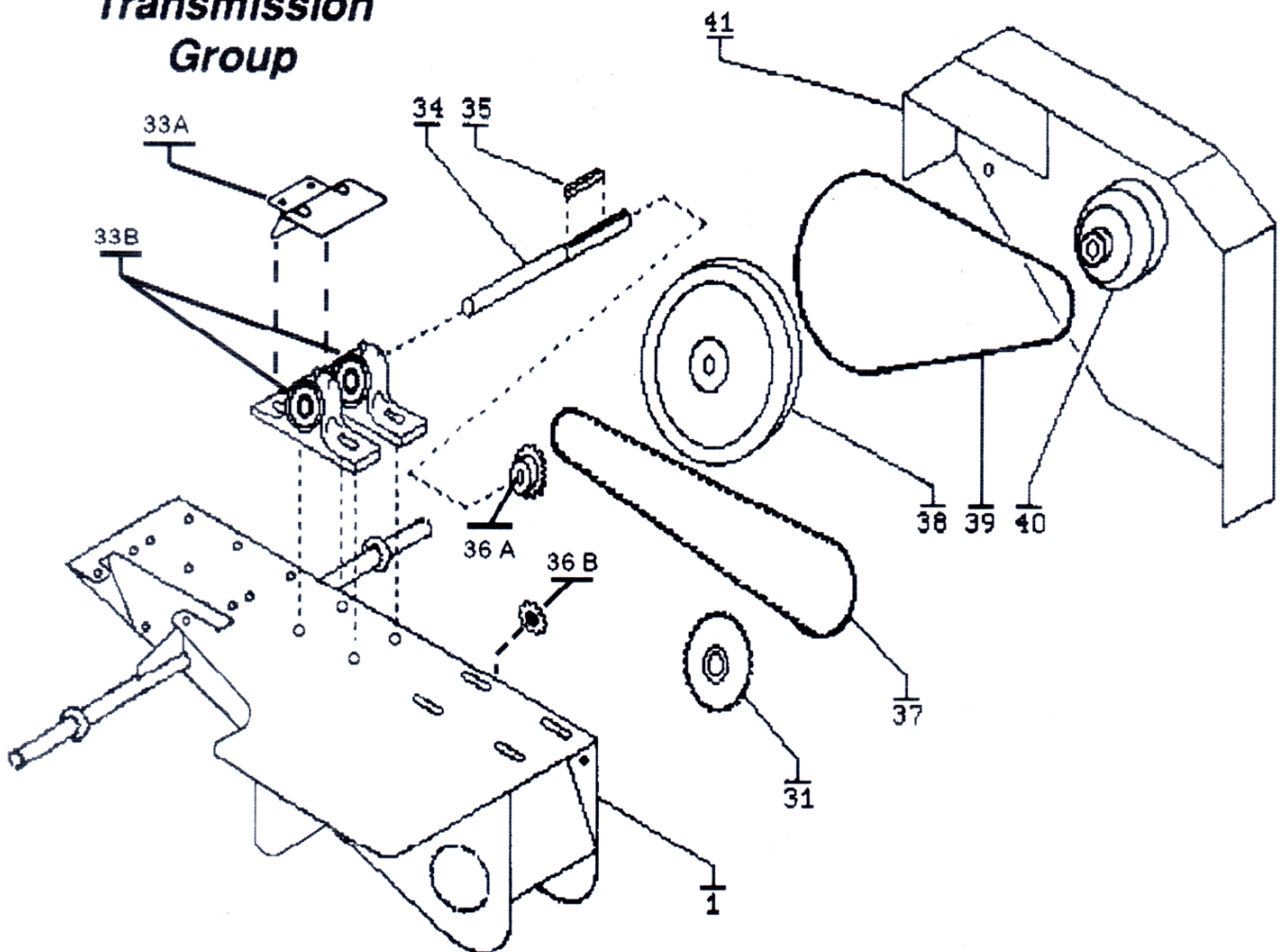


Body Group

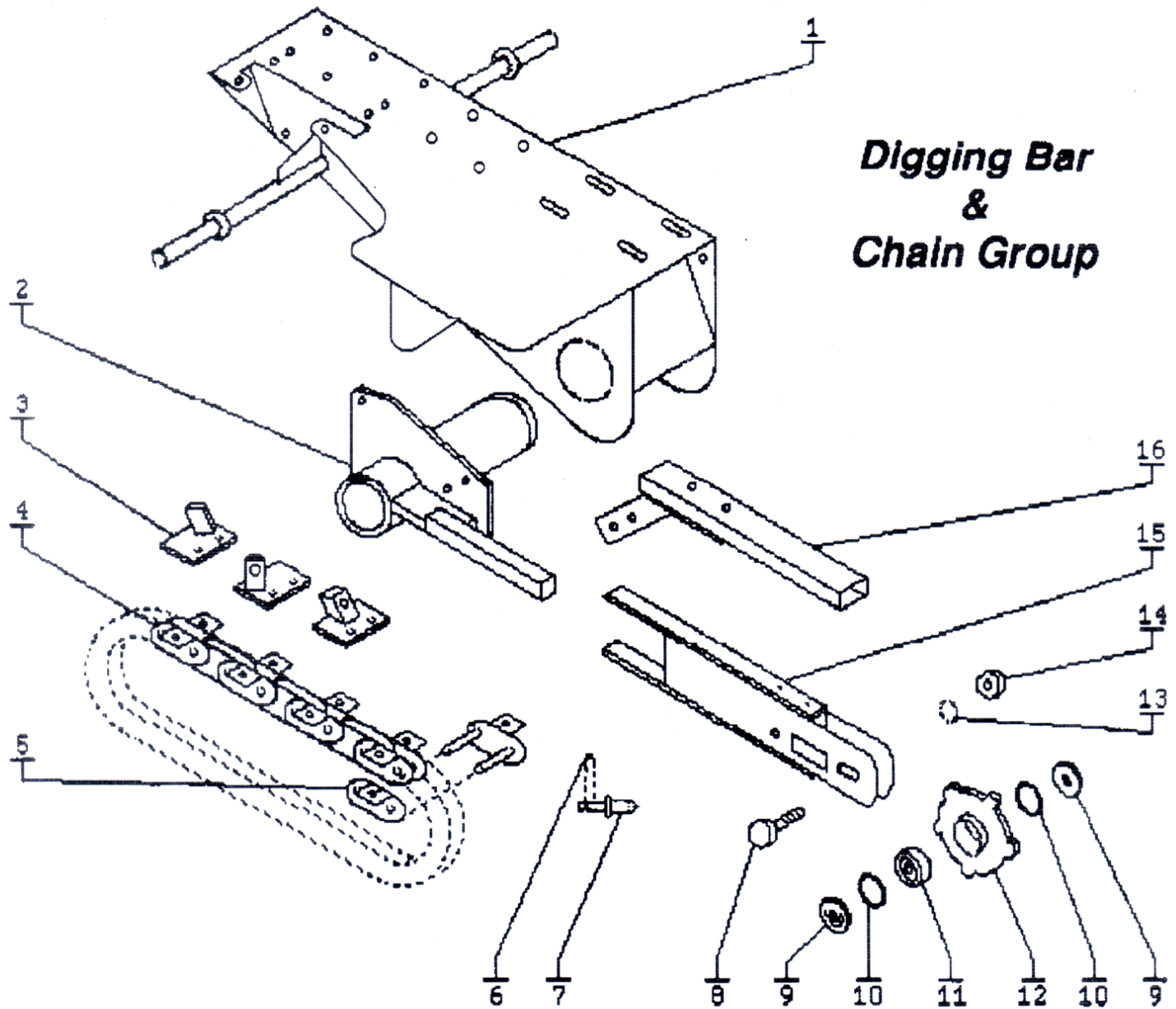
<u>REF. #</u>	<u>ITEM #</u>	<u>DESCRIPTION</u>
54	4SS6	SWITCH MOUNT
55	5551	THROTTLE ASSEMBLY
56	4720	TOGGLE SWITCH
	4715	SWITCH W/ MOUNT
57	4531	TIRE
58A	4532	RIM
58B	4530-1	BUSHING (2 PER RIM)
	4530	TIRE & RIM ASSEMBLY
59	1700	AXLE WASHER
60	4103	1/8" ZEK FITTING
61	4510	HANDLE BAR

Power Transmission Group

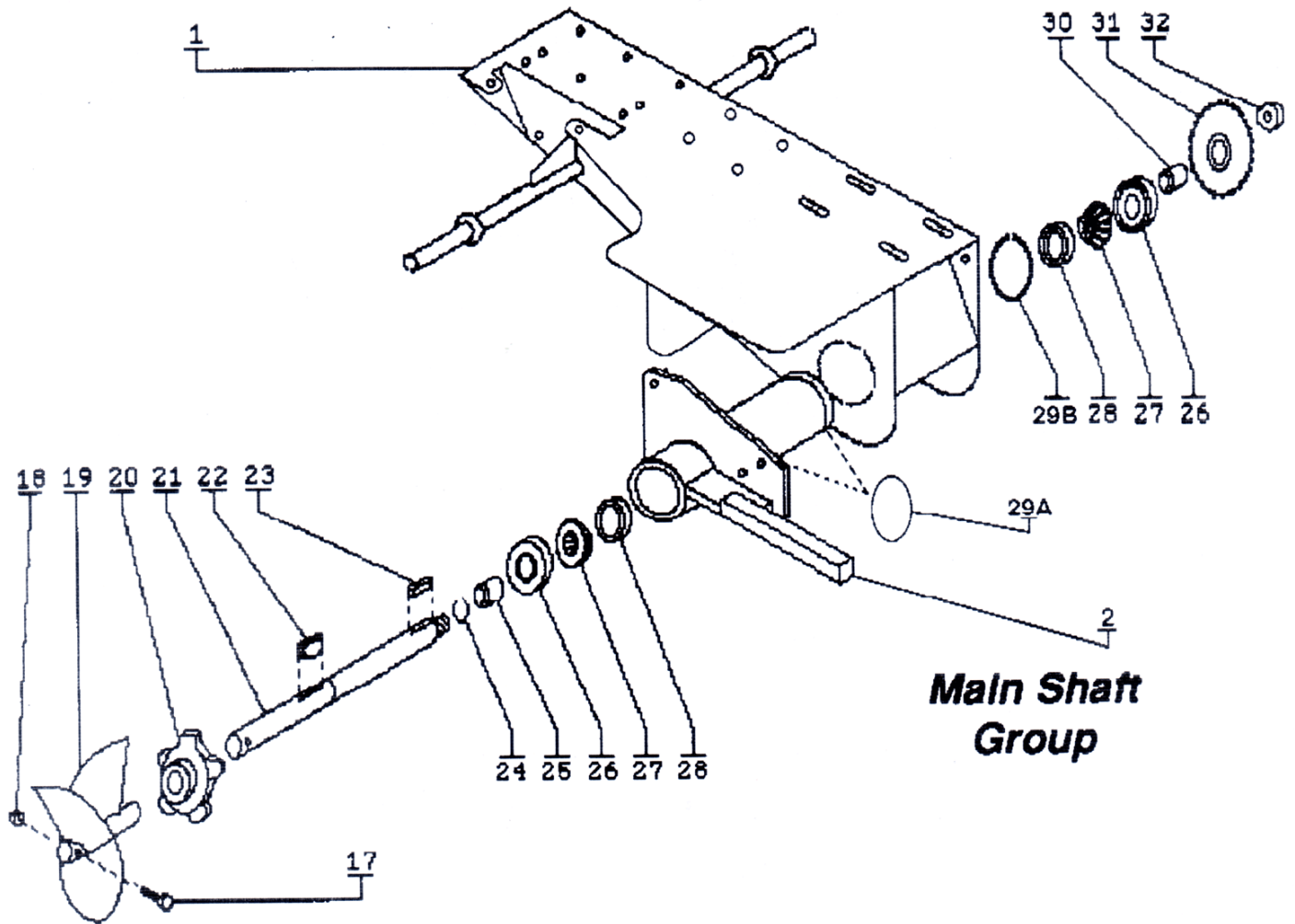


<u>REF. #</u>	<u>ITEM #</u>	<u>DESCRIPTION</u>
33A	4316	PILLOW BLOCK COVER
33B	4305	PILLOW BLOCK (MANDREL BEARING)
34	4315	MANDREL SHAFT
	4320	PILLOW BLOCK ASSEMBLY W/ TWO #33 & 34
35	23	3/16 X 3/16 SQUARE KEY
36 A	4325	PRIMARY SPROCKET
36 B	4355	IDLER SPROCKET
37	4330	PRIMARY CHAIN
38	4335	SHEAVE (AK84)
39	4340	DRIVE BELT (AX36)
40	900	CENTRIFUGAL CLUTCH
41	4350	BELT GUARD

Digging Bar & Chain Group



<u>REF. #</u>	<u>ITEM #</u>	<u>DESCRIPTION</u>
1.	4100	TRENCHER BODY
2.	4230	TRUNION (INCLUDES 2 ea # 4232 "O" RING)
3.	4171	LEFT BIT HOLDER
	4170	RIGHT BIT HOLDER
	4172	CENTER BIT HOLDER
4.	4130	DIGGING CHAIN
	4132C	COMPLETE CHAIN AND BIT SET (ASSEMBLED)
5.	4130-1	DIGGING CHAIN MASTER LINK
	4130-2	DIGGING CHAIN ROLLER LINK
6.	4176	BIT RETAINING CLIP
7.	4175	CARBIDE TIPPED BIT
8.	1704	DRIVEN SPROCKET AXLE
9.	4167	GRIT WASHER (DRIVEN SPROCKET)
10.	4166	SPIRAL RING
11.	4156	DRIVEN SPROCKET BEARING
12.	4161	DRIVEN SPROCKET
	4161-A	DRIVEN SPROCKET ASSEMBLY
13.	1710	LOCK WASHER
14.	1706	DRIVEN SPROCKET AXLE NUT
15.	4140	DIGGING BOOM
	4140-A	DIGGING BOOM ASSEMBLY
16.	4700	DIGGING CHAIN GUARD



REF. #

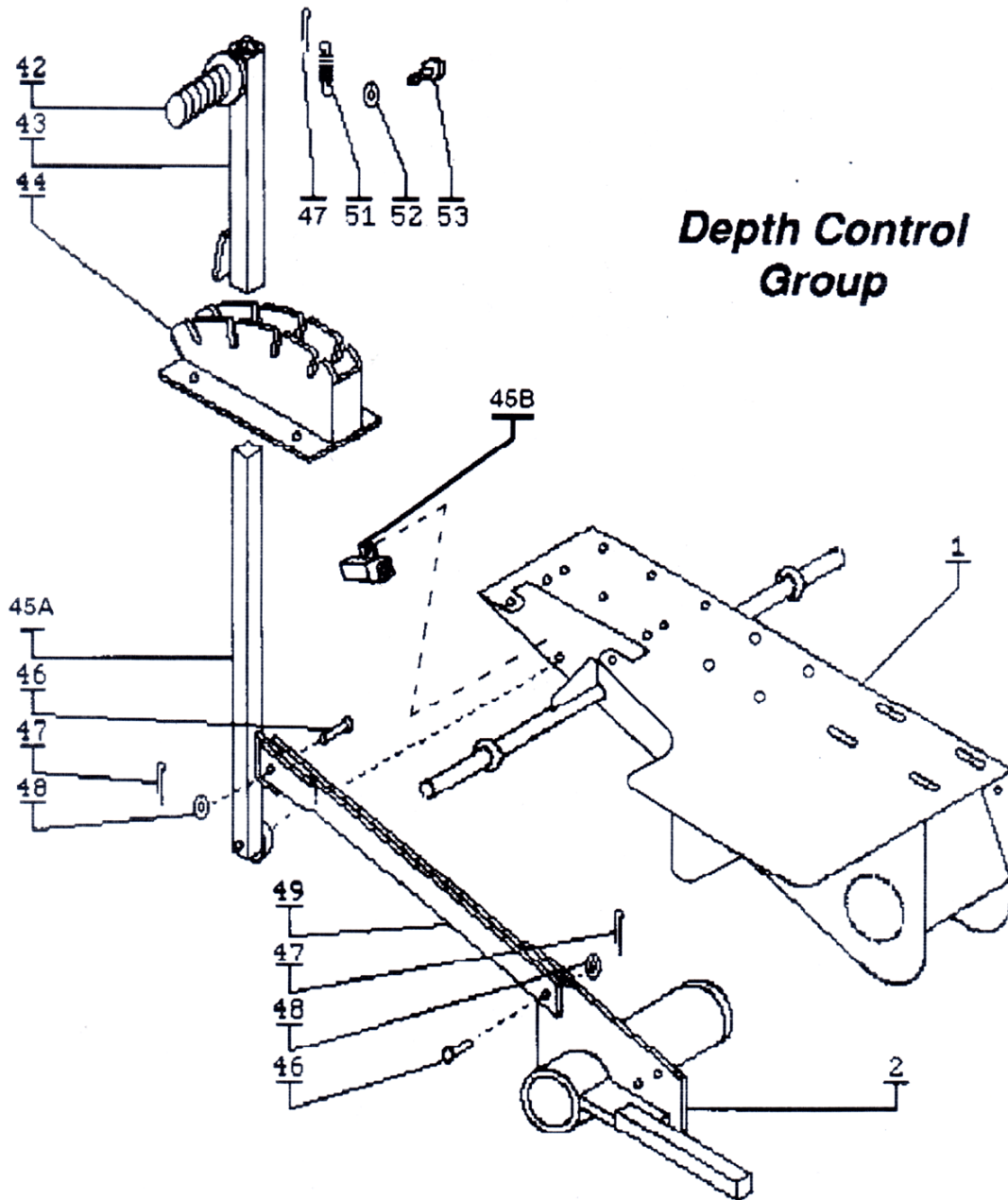
17.
18.
19.
20.
21.
22.
23.
24.
25.
26.
27.
28.
29A.
29B.
30.
31.

ITEM #

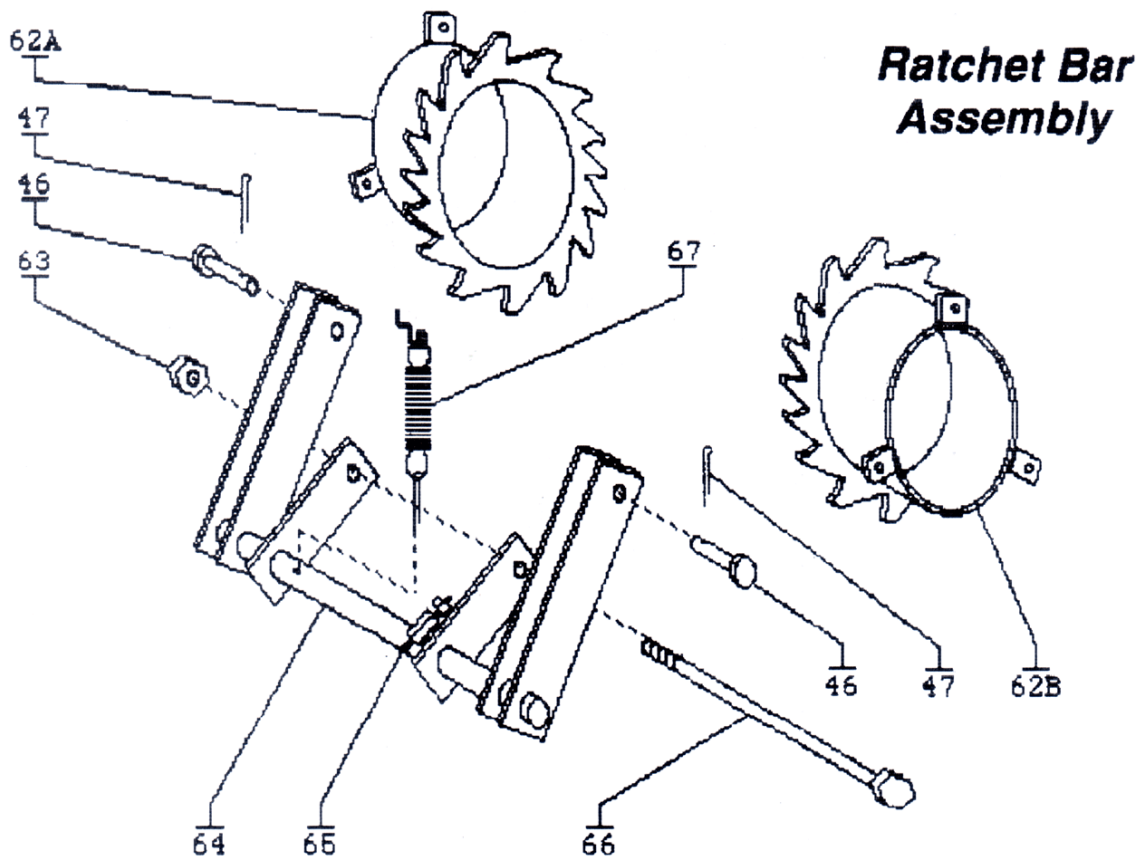
1510
1518
4200
4205
4210
21
22
4215
4220
4225
08125
08231
4232
4235
4221
4240

DESCRIPTION

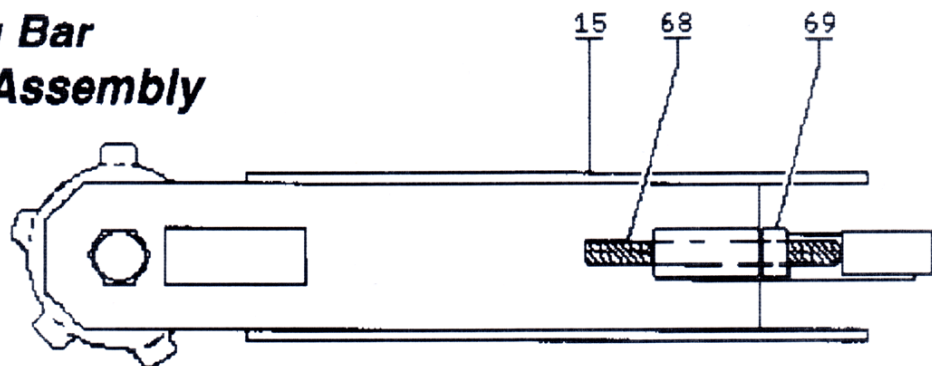
AUGER RETAINING BOLT
3/8 N. C. SELF LOCKING NUT
SIDE DELIVERY AUGER
DIGGING CHAIN DRIVE SPROCKET
MAIN SHAFT
1/4 X 1 1/4 WOODRUFF KEY
1/4 X 1/4 SQUARE KEY
1 1/4 MAIN SHAFT SNAP RING
WIDE MAIN SHAFT SPACER
GRIT SEAL (3 REQUIRED)
TIMKEN CONE (BEARING)
TIMKEN CUP
TRUNION "O" RING (2 REQUIRED)
TRUNION TUBE SNAP RING
NARROW MAIN SHAFT SPACER
MAIN SHAFT DRIVE SPROCKET



<u>REF. #</u>	<u>ITEM #</u>	<u>DESCRIPTION</u>
42.	6100	HANDLE BAR GRIP
43.	4400	DEPTH CONTROL HANDLE
44.	4405	DEPTH LOCATOR
45A.	4410	DEPTH CONTROL LEVER
45B.	CE001	PLUNGER SWITCH
46.	1514	CLEVIS PIN
47.	4420	COTTER PIN 1/8 X 1.5
48.	1503	WASHER
49.	4425	CONNECTING ROD
50.	4420	COTTER PIN 1/8 X 1.5
51.	4435	DEPTH CONTROL SPRING
52.	4430	LOWER SPRING WASHER
53.	4431	DEPTH CONTROL HANDLE STOP (BOLT)



**Digging Bar
Adjustment Assembly**



<u>REF. #</u>	<u>ITEM #</u>	<u>DESCRIPTION</u>
62A.	4601L	LEFT WHEEL RATCHET
62B.	4601R	RIGHT WHEEL RATCHET
63.	1518	3/8" NYLOCK NUT
64.	4602	RATCHET BAR
65.	4604	RATCHET BAR ADJUSTMENT BOLT & NUT
66.	1525	3/8 X 7 1/2 BOLT
67.	4603	RATCHET BAR TENSION SPRING 733
68.	4142	DIGGING BAR ADJUSTMENT BOLT
69.	4141	DIGGING BAR LOCK NUT