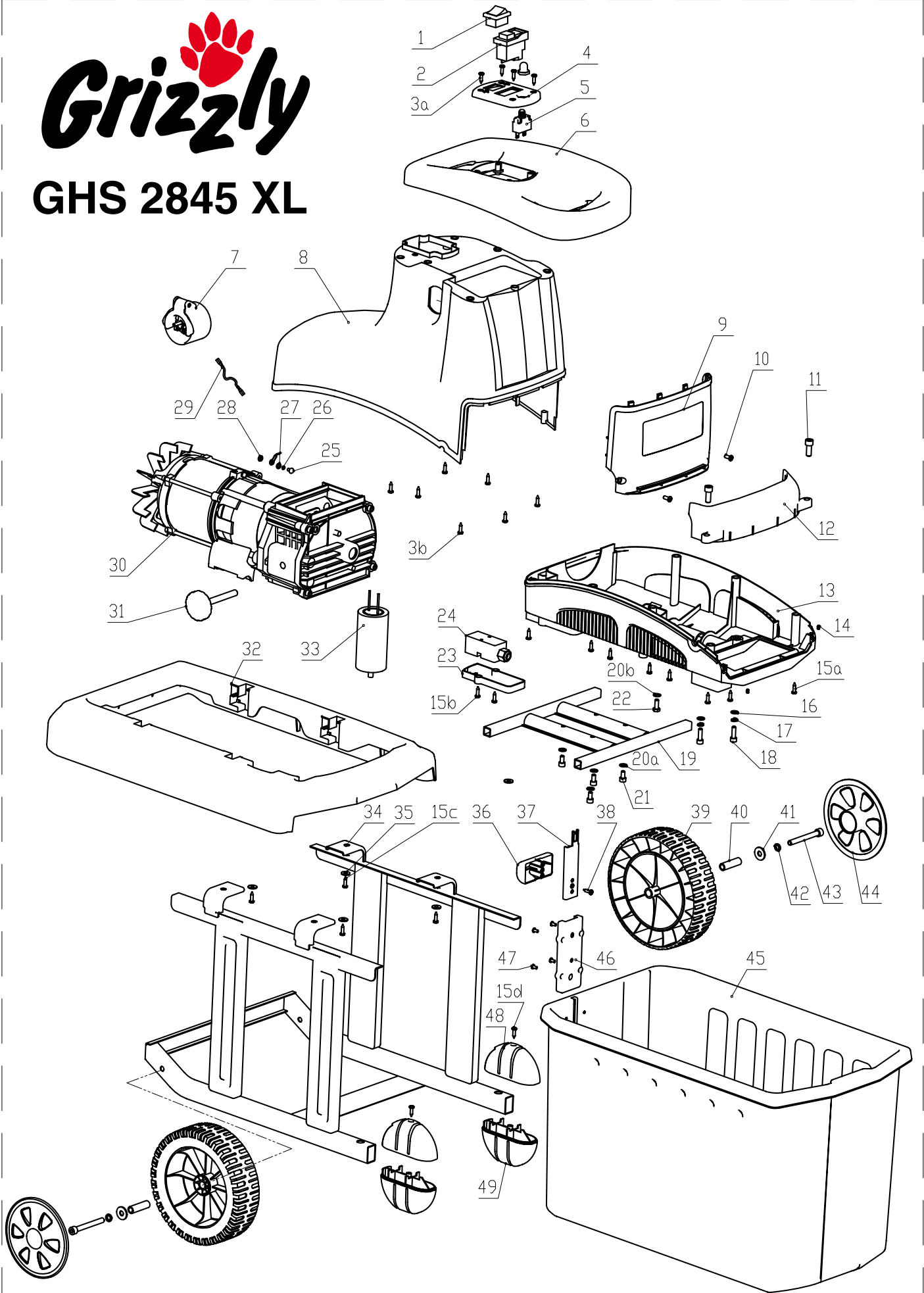


Grizzly

GHS 2845 XL



		Description		Bezeichnung	Art Nr.
1	KND2-12/2	Reversing switch	1	Umschalter	91093741
2	KJD17FT	On/off switch	1	Ein Aus Schalter	91093742
3		Screw ST4.2X16	11	Schraube ST4.2x16	91093743
4	MK-L771-07	Switch location plate	1	Schalterplatte	91093744
5		Overload protector	1	Überlastungsschutz	91093745
6	MK-L772-05	Top cover	1		
7	MK-L79-12-0	Plug	1		
8	MK-L771-01	Above shell	1		
9	MK-L771-03	Front cover of shell	1		
10	GB818-85	Screw M5X12	2		
11		Screw M8x25	2		
12	MK-L771-04	Location plate	1		
13	MK-L771-02	Lower shell	1		
14		Nut M5	2		
15	GB845-85	Screw ST4.2X16-F	16		
16	GB95-85	Flat grommet 6	2		
17	GB93-87	Spring grommet 6	2		
18	GB70-85	Screw M6x20	2		
19	MK-L771-15-0	Supporting frame	1		
20	GB/T862.2-1987	Locking grommet 6	5		
21	GB70-85	Screw M6x12	4		
22	GB/T5782-2000	Screw M6x16	1		
23	MK-L771-10	Trip Switch cover	1		
24		Trip switch	1		
25	GB818-85	Screw M4x10	1		
26	GB93-87	Spring grommet 4	1		
27	GB95-85	Flat grommet 5	1		
28	GB/T862.2-1987	Locking grommet 5	1		
29		Connection line set	1		
30		Motor set	1		
31	MK-L771-18	Adjuster	1	Schraube f. Druckplatte	
32	MK-L771-06	Cover of steel frame	1		
33		Capacitor	1		
34	MK-L771-13-0	Steel frame	1		
35	GB/T96-85	Big grommet 5	4		
36	MK-L771-08	Safety switch knob	1		
37	MK-L771-14	Safety switch plate	1		
38	GB/T846-85	Screw ST4.2X16	1		
39	MK-L17-17	Wheel	2		
40	MK-L771-16	wheel shaft	2		
41	GB/T96-85	Grommet 8	2		
42	GB93-87	Spring grommet 8	2		
43	GB70-85	Screw M8x70	2		
44	MK-L17-19	Cap	2		
45	MK-L771-17	Collection box	1		
46	MK-L771-09	Safety switch plate cover	1		
47	GB/T12618-90	Screw M4x10	4		
48	MK-L771-12	Front wheel cap	2		
49	MK-L771-11	Front wheel body	2		