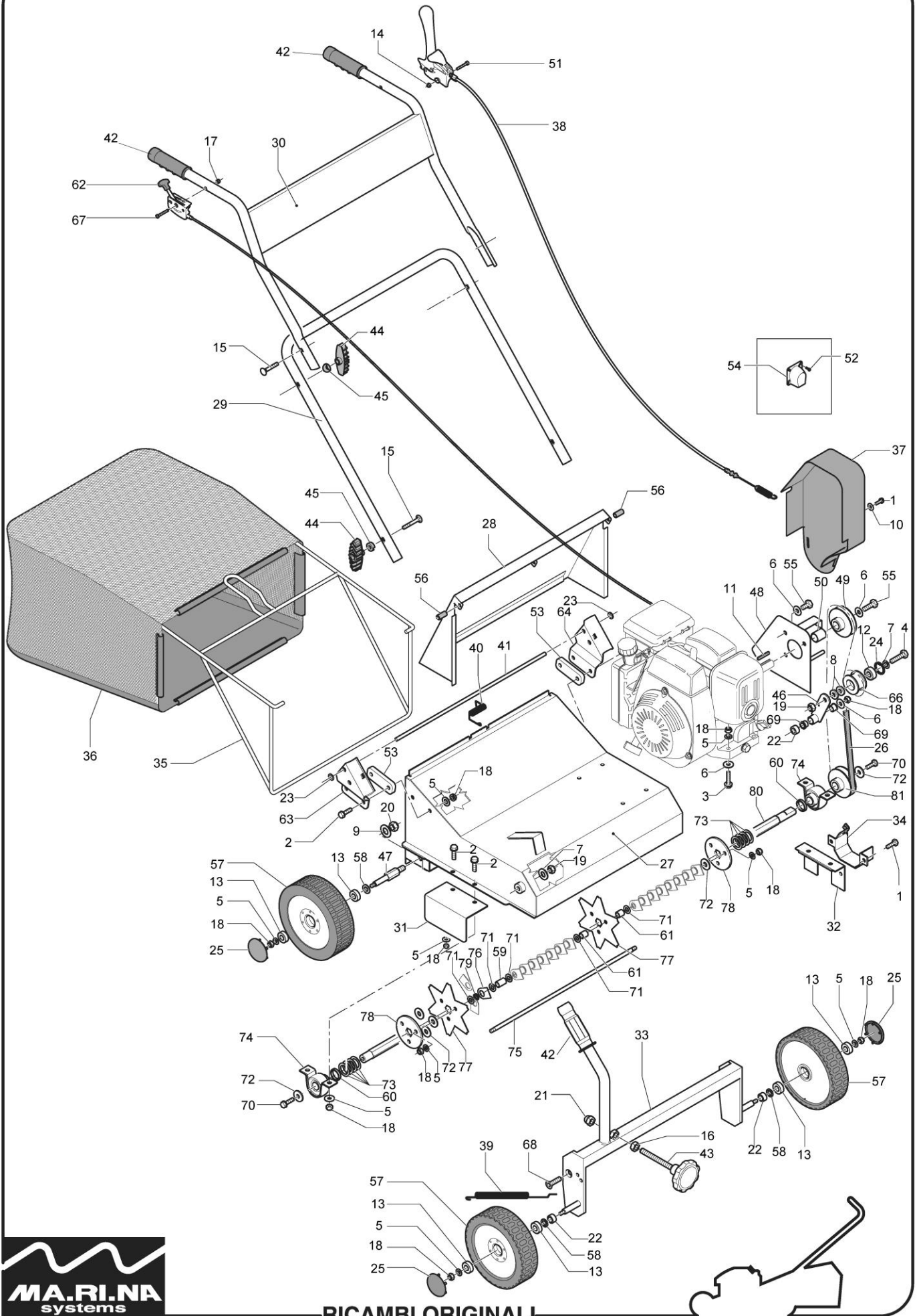


# MOD. S 500 B - S 500 H

POS.	CODICE	I	F	D	GB	E	QTY
1	CP026016	Vite Autof.	Vis	Schraube	Screw	Tornillo	4
2	CP030826	Vite	Vis	Schraube	Screw	Tornillo	8
3	CP030835	Vite Te	Vis	Schraube	Screw	Tornillo	4
4	CP031040	Vite	Vis	Schraube	Screw	Tornillo	1
5	CP032908	Rondella	Rondelle	Scheibe	Washer	Arandela	26
6	CP032909	Rondella	Rondelle	Scheibe	Washer	Arandela	7
7	CP032910	Rondella Sp2	Rondelle	Scheibe	Washer	Arandela	3
8	CP032920	Rondella	Rondelle	Scheibe	Washer	Arandela	2
9	CP032922	Rondella Piana 12	Rondelle	Scheibe	Washer	Arandela	2
10	CP032926	Rondella	Rondelle	Scheibe	Washer	Arandela	2
11	CP037542	Chiavetta	Clavette	Schlüsselchen	Woodruff Key	Chaveta	1
12	CP038030	Cuscinetto	Roulement	Kugellager	Ball Bearing	Cojinete	1
13	CP038228	Cuscinetto	Roulement	Kugellager	Ball Bearing	Cojinete	8
14	CP044706	Dado	Écrou	Mutter	Knob	Esparrago	1
15	CP040855	Vite	Vis	Schraube	Screw	Tornillo	4
16	CP042712	Dado	Écrou	Mutter	Knob	Esparrago	1
17	CP042806	Dado	Écrou	Mutter	Knob	Esparrago	1
18	CP044708	Dado	Écrou	Mutter	Knob	Esparrago	27
19	CP044710	Dado Autobloccante	Écrou	Mutter	Hex Nut	Esparrago	3
20	CP044712	Dado Autob. M12	Écrou	Mutter	Knob	Esparrago	2
21	CP044812	Dado	Écrou	Mutter	Knob	Esparrago	1
22	CP046264	Distanziale D.12X20X10 Z	Boucle	Büchse	Bush	Distanciador	3
23	CP046607	Ritegno	Clip	Rückhalt	Retainer	Anillo Clip	2
24	CP046730	Seeger	Seeger	Ruckhalt	Retainer	Anillo Clip	1
25	CP047133	Copri ruota	Cache Moyeu	Raddeckung	Hub Cap	Tapa Rueda	4
26	CP047930	Cinghia Optibelt Tx X13 76	Courroie	Riemen	Belt	Correa	1
27	CP050005.02	Chassis Rosso	Carter	Gehäuse	Deck	Chasis	1
28	CP050019	Parasassi S 500 Lamiera N	Deflecteur	Deflektor	Rear Door	Deflectór	1
29	CP050034	Manico Inf. Rosso	Guidon	Stiel	Handle	Manillar	1
30	CP050040	Manico Sup. Rosso	Guidon	Stiel	Handle	Manillar	1
31	CP050046D	Supporto Albero S 500 Dx	Support	Achselager	Support	Soporte	1
32	CP050046S	Supporto Albero S 500 Sx	Support	Achselager	Support	Soporte	1
33	CP050047	Supporto Alzaruote S 500	Support	Achselager	Support	Soporte	1
34	CP050050	Protezione Cinghia S 500 Z	Carter	Schutz	Metal Shield	Proteccion	1
35	CP050076	Telaio Cesto Scarificatore	Attelage	Grasfangrahmen	Frame	Armon Saco	1
36	CP050081.05	Tela Cesto Scarificatore S	Sac Ramasseur	Grasfangsack	Grass Bag	Saco Tela	1
37	CP050097	Copricinghia S 500 Nero S	Couvercle Courroie	Riemenschutz	Belt Cover	Tapa	1
38	CP050147	Leva Rossa Con Cavo X A	Levier	Stange	Lever	Leva	1
39	CP050196	Molla Alzo Scarif. S500 Zir	Ressort	Feder	Spring	Muelle	1
40	CP050197	Molla Parasassi Scarif. S5	Ressort	Feder	Spring	Muelle	1
41	CP050202	Astina Parasassi S 500 D.4	Axe Pivot	Stange	Hinge Pin	Eje Deflectór	1
42	CP050210	Manopola Nera D.25 S/Pa	Moufle	Griff	Mitten	Manopla	3
43	CP050226	Pomolo = P754370	Écrou	Griff	Knob Handle	Pomo Manillar	1
44	CP050228	Pomolo Manico	Écrou	Griff	Knob Handle	Pomo Manillar	4
45	CP050230	Rondella	Rondelle	Scheibe	Washer	Arandela	4
46	CP050247	Leva Galoppino S 500 Zinc	Levier	Stange	Lever	Leva	1
47	CP050251	Perno Ruota Posteriore S	Pivot	Zapfen	Pin	Perno	2
48	CP050253	Piastra Di Supporto Sp. 2	Platine	Trager	Support	Platina	1
49	CP050263	Puleggia Motore Diam. 75	Poulie	Riemenscheibe	Pulley	Polea	1
50	CP050280	Distanziale D.24 X 2 X 26.4	Boucle	Büchse	Bush	Distanciador	1
51	CP039645	Vite	Vis	Schraube	Screw	Tornillo	1
52	CP023595	Vite Autof.	Vis	Schraube	Screw	Tornillo	2
53	CP050340	Piastrina 10 Mm Spessore	Support	Achselager	Support	Soporte	2
54	HOGX20000000	Deflettore	Deflecteur	Deflektor	Deflector	Deflectór	1
55	CP050818	Vite	Vis	Schraube	Screw	Tornillo	3
56	CP051236	Distanziale	Boucle	Büchse	Bush	Distanciador	2
57	CP053118.98	Ruota 204 Ph Zincata	Roue Acier	Verzinktes Rad	Zinc Wheel	Rueda Zinc	4



MOD. S 500



RICAMBI ORIGINALI