

Parts catalogue

BUSH CUTTER

(EXPORT MODEL)

SH60, SH70
SH60A, SH70A
SH60C, SH70C

MODEL	CODE
SH60	80-1417-???-00
SH60C	0231-?????
SH70	80-1437-???-00
SH70C	0232-?????

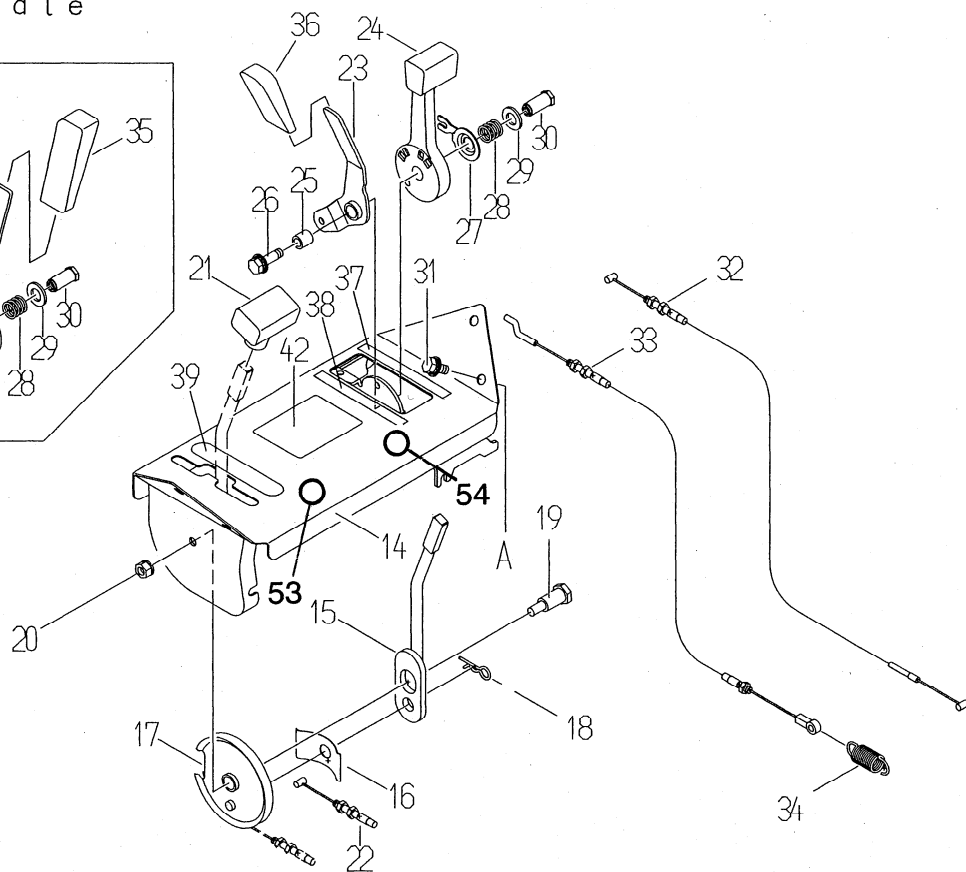
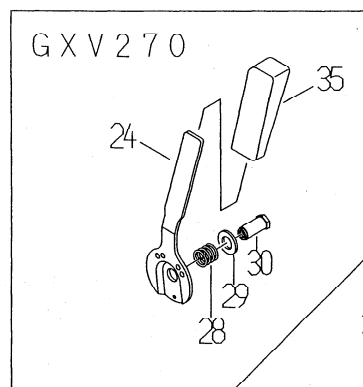
CONTENTS

Fig.1	HANDLE-----	1
Fig.2	FRAME-----	5
Fig.3	ENGINE PARTS-----	7
Fig.4	TRANSMISSION OUTSIDE & REAR WHEEL-----	9
Fig.5	TRANSMISSION-----	11
Fig.6	KNIFE COVER-----	17
Fig.7	FRONT WHEEL & BRAKE SET-----	21

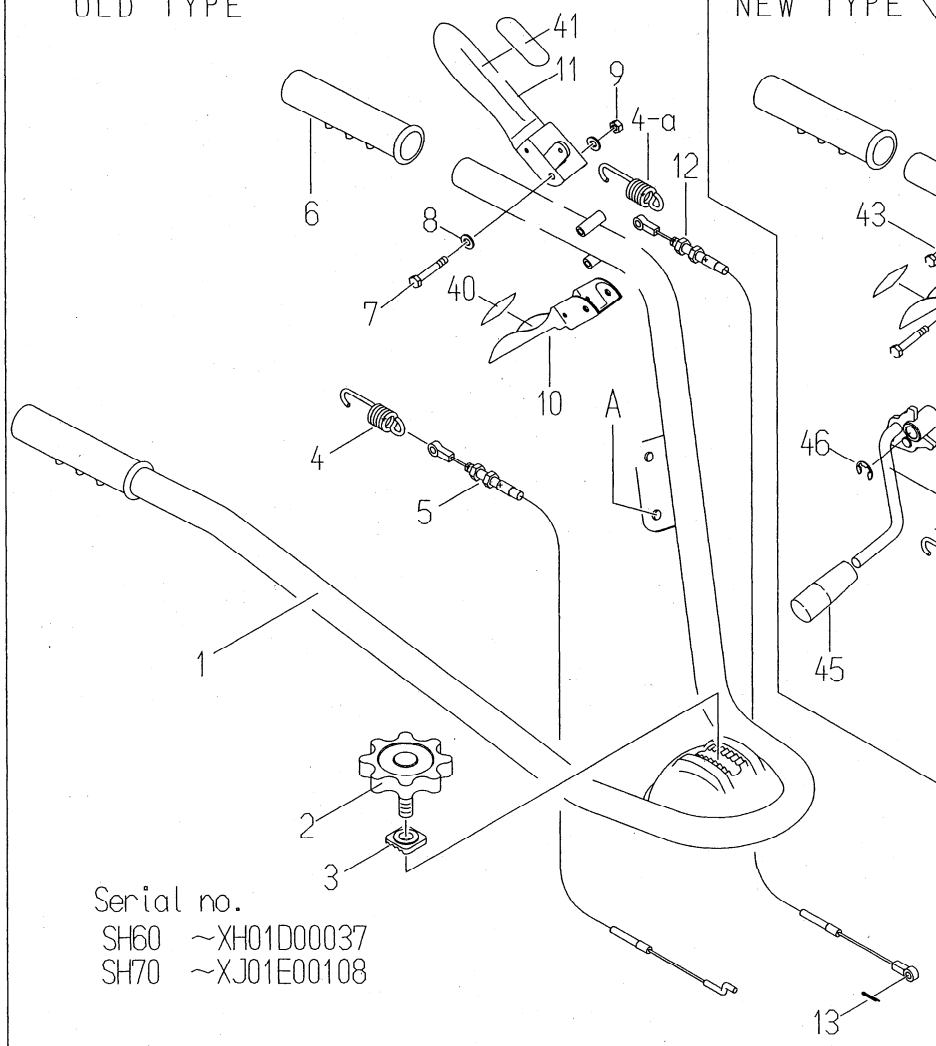
OREC CO.,LTD.

Update : May 2004

Fig 1 Handle

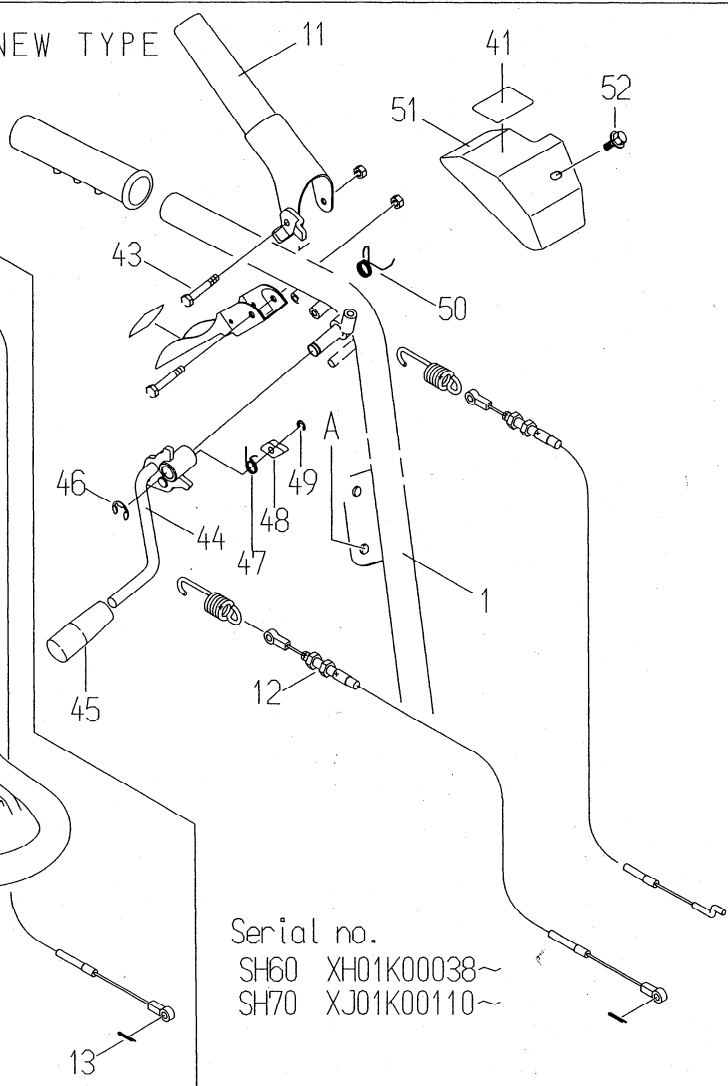


OLD TYPE



Serial no.
SH60 ~XH01D00037
SH70 ~XJ01E00108

NEW TYPE



Serial no.
SH60 XH01K00038~
SH70 XJ01K00110~

FIG. 1 Handle

Ref.	Parts No.	Parts Name	Quantity											Remarks
			SH											
			60A			70A	Blade	60C			70C			
			FC 180V	GXV 160	GXV 270	GXV 270	2Action Type	FC 180V	GXV 160	GXV 270	GXV 270			
1	80-1417-221-00	Handle												
	80-1417-221-10	Handle	1	1	1	1								*1) *3)
	80-1417-222-00	Handle					1	1	1	1	1			*8)
2	80-1516-108-00	Knob Bolt	1	1	1	1		1	1	1	1			
3	80-1516-251-00	Washer	1	1	1	1		1	1	1	1			
4	80-1515-966-00	Clutch SP	2	2	2	2	1	1	1	1	1			*7)
4-a	80-1417-966-00	Clutch SP					1	1	1	1	1			*7)
5	83-1417-932-10	Driving Clutch Wire	1	1	1	1		1	1	1	1			
6	83-1560-414-00	Handle Grip 27	2	2	2	2		2	2	2	2			
7	89-1111-060402	Hexagonal Bolt M6*40	2	2	2	2		2	2	2	2			
8	89-1711-060002	Washer 6	4	4	4	4		4	4	4	4			
9	89-1551-060002	U-type Nut M6	2	2	2	2		2	2	2	2			
10	80-1516-241-00	Clutch Lever												
	80-1417-241-10	Clutch Lever	1	1	1	1		1	1	1	1			*1) *3)
11	80-1417-453-00	Knife Clutch Lever												
	80-1417-453-10	Knife Clutch Lever	1	1	1	1								*1) *3)
	80-1417-453-20	Knife Clutch Lever	1	1	1	1								*7)
	80-1417-251-00	Knife Clutch Lever					1	1	1	1	1			*8)
12	83-1417-941-10	Knife Clutch Wire	1	1	1	1								
	83-1417-942-00	Knife Clutch Wire					1	1	1	1	1			*8)
13	89-2120-200152	Split Pin 2*15	1	1	1	1		1	1	1	1			
14	80-1417-223-00	Control Panel CMP	1	1	1	1		1	1	1	1			
15	80-1417-263-00	Change Lever	1	1	1	1		1	1	1	1			
16	80-1310-268-00	Non Flap Spring	1	1	1	1		1	1	1	1			
17	80-1417-266-00	Wire Guide B												
	80-1417-266-10	Wire Guide B	1	1	1	1		1	1	1	1			*1)
18	89-2131-120002	Snap Pin 12	1	1	1	1		1	1	1	1			
19	80-1210-267-00	Wire Guide Axle	1	1	1	1		1	1	1	1			
20	89-1541-080002	Hexagonal Nut (SW) M8	1	1	1	1		1	1	1	1			
21	83-1417-435-00	Lever Grip (Red)	1	1	1	1		1	1	1	1			
22	83-1417-936-00	Change Wire	2	2	2	2		2	2	2	2			
23	80-1481-273-00	Differential Lock Lever												
	80-1484-273-10	Differential Lock Lever	1	1	1	1		1	1	1	1			*1) *5)
24	80-1020-261-00	Throttle Lever (FC180V)	1					1						
	80-1020-265-00	Throttle Lever (GXV160)		1					1					
	80-1437-261-00	Throttle Lever (GXV270)			1	1				1	1			
25	80-1020-270-00	Inner Collar	1	1	1	1		1	1	1	1			
26	89-1139-080302	Hexagonal Bolt (PWSW) M8*30	1	1	1	1		1	1	1	1			
27	80-1020-264-00	Control Washer	1	1				1	1					
28	80-1020-263-00	Control Axle Spring	1	1	1	1		1	1	1	1			
29	89-1711-120003	Flat Washer 12	1	1	1	1		1	1	1	1			
30	80-1020-262-00	Control Lever Axle	1	1	1	1		1	1	1	1			
31	89-1136-080162	Hexagonal Bolt (PWSW) M8*16												
	89-1133-080162	Hexagonal Bolt (PWSW) M8*16	4	4	4	4		4	4	4	4			
32	83-1417-951-00	Throttle Wire (FC180V)	1					1						
	83-1417-952-00	Throttle Wire (GXV160)		1					1					
	83-1437-952-10	Throttle Wire (GXV270)			1	1				1	1			
33	83-1417-937-10	Differential Lock Wire												
	83-1417-937-20	Differential Lock Wire	1	1	1	1		1	1	1	1			*2)
34	80-1417-155-00	Spring	1	1	1	1		1	1	1	1			
35	80-1484-262-00	Arm Grip(red) GXV270			1	1		1	1	1	1			

FIG. 1 Handle

Ref.	Parts No.	Parts Name	Quantity										Remarks
			SH										
			60A			70A	Blade	60C			70C		
			FC 180V	GXV 160	GXV 270	GXV 270	2Action Type	FC 180V	GXV 160	GXV 270	GXV 270		
36	80-1515-262-00	Arm Grip(black)	1	1	1	1		1	1	1	1	*5)	
37	80-1020-911-00	Throttle Label (K)	1										
	80-1020-911-10	Throttle Label (K)						1				*1) *10)	
	80-1020-913-00	Throttle Label (
	80-1020-913-10	Throttle Label () *10)	
38	80-1417-906-00	Differential Rock Label	1	1	1	1							
	80-1417-906-10	Differential Rock Label						1	1	1	1	*1) *10)	
39	80-1417-911-00	Label (Change)	1	1	1	1							
	80-1417-911-10	Label (Change)						1	1	1	1	*1) *10)	
40	80-1417-914-00	Label(driving)	1	1	1	1							
	80-1417-914-10	Label(driving)						1	1	1	1	*1) *10)	
41	0206-70300	Label(Blade)	1	1	1	1							
	80-1417-918-00	Label(Blade)					1					*8)	
	80-1417-918-10	Label(Blade)						1	1	1	1	*1) *10)	
42	80-1417-904-00	Label	1										
	0231-90400	Label						1	1	1		*8)	
	80-1417-905-00	Label											
	80-1437-904-00	Label				1							
	0232-90400	Label									1	*8)	
	80-1437-905-00	Label											
43	89-1113-060552	Hexagonal Bolt (8T) M6*55						1	1	1	1	1	*8)
44	80-1417-252-00	Blade tension lever						1	1	1	1	1	*8)
45	80-1417-255-00	Lever Grip(Red) 10						1	1	1	1	1	*8)
46	89-2521-000100	E Type Ring 10						1	1	1	1	1	*8)
47	80-1417-972-00	Stopper return spring						1	1	1	1	1	*8)
48	80-1417-253-00	Stopper						1	1	1	1	1	*8)
49	89-2521-000050	E Type Ring 5						1	1	1	1	1	*8)
50	80-1417-973-00	Blade clutch return spring						1	1	1	1	1	*8)
51	80-1417-254-00	Upper cover						1	1	1	1	1	*8)
52	89-1137-060122	Hexagonal Bolt (PW) M6*12						1	1	1	1	1	*8)
53	0215-83200	Label, Protection Equipment						1	1	1	1	1	*10)
54	0223-72900	Attention Mark for Slope						1	1	1	1	1	*10)

*1)Interchangeable

*2)Serial Number SH60 : XH96A00001~ SH70 : XJ97B00001~

*3)Serial Number SH60 : XH97B00001~ SH70 : XJ97B00001~

*4)Serial Number SH60 : XH97K00266~ SH70 : XJ97L00056~

*5)Serial Number SH60 : XH97L00981~ SH70 : XJ97L00056~

*6)Serial Number SH70 : XJ98G00092~

*7)Serial Number SH60 : XH01A00995~XH01D00037 SH70 : XJ01A00475~XJ01E00108

*8)Serial Number SH60 : XH01K00038~ SH70 : XJ01K00110~

*9)Serial Number SH60 : XH02J00011~ SH70 : XJ02L00025~

*10)Serial Number SH60 : XH03C00001~ SH70 : XJ03B00001~

*11)Serial Number SH60 : ~XH03C00080 SH70 : ~XJ03C00236

*12)Serial Number SH60 : XH03G00081~ SH70 : XJ03H00237~

Fig 2 Frame

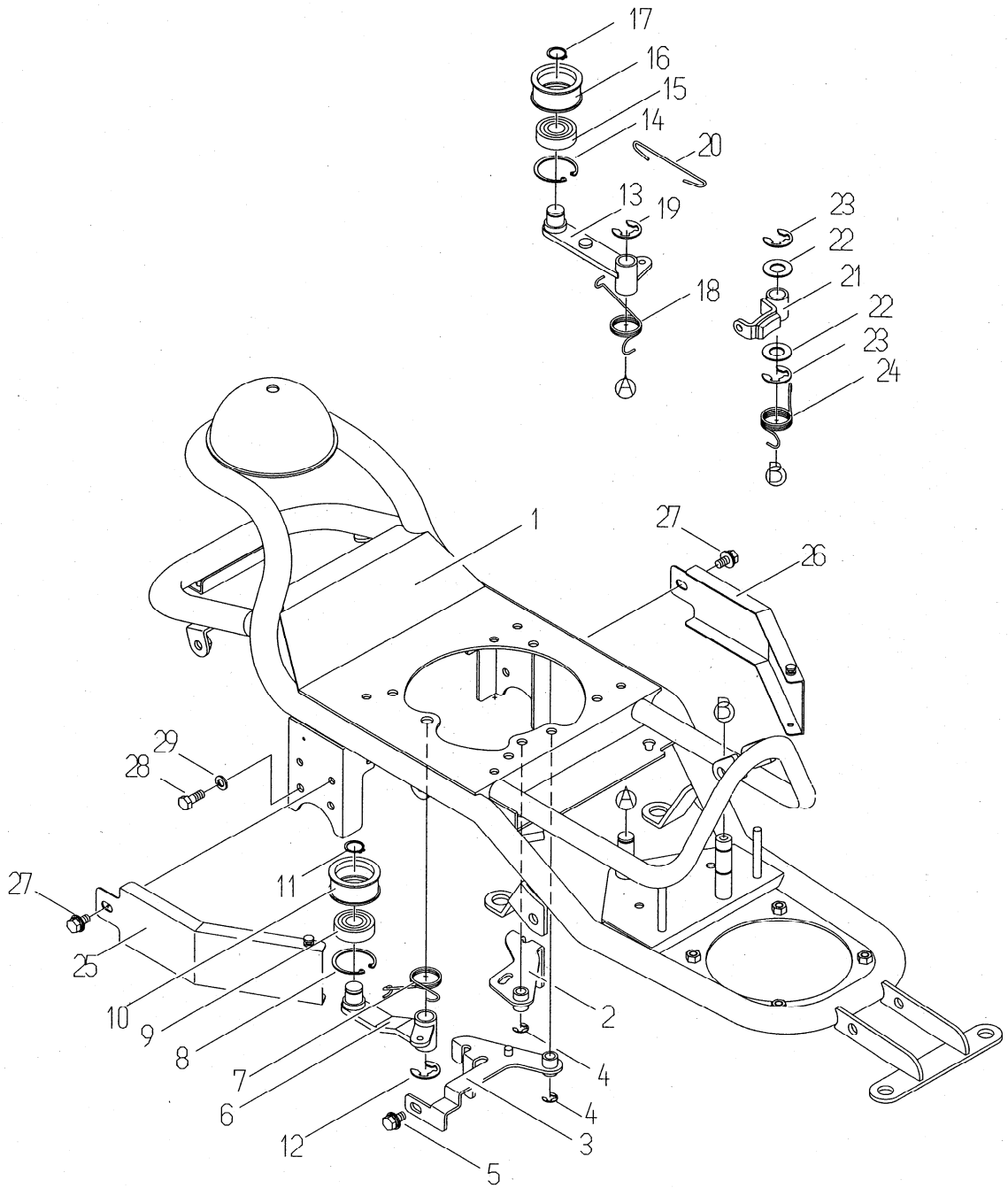


FIG. 2 Frame

Ref.	Parts No.	Parts Name	Quantity										Remarks
			SH										
			60A			70A	Blade	60C			70C		
			FC	GXV	GXV	GXV	2Action	FC	GXV	GXV	GXV		
180V	160	270	270	Type	180V	160	270	270					
1	80-1417-301-10	Frame CMP	1	1	1	1			1	1	1	1	*2)
2	80-1417-518-00	Engine Belt Stopper A	1	1	1	1			1	1	1	1	
3	80-1417-519-00	Engine Belt Stopper B	1	1	1	1			1	1	1	1	
4	89-2521-000080	E-Type Ring 8	2	2	2	2			2	2	2	2	
5	89-1133-080162	Hexagonal Bolt (PWSW) M8*16	1	1	1	1			1	1	1	1	
6	80-1417-542-00	Tension Arm	1	1	1	1			1	1	1	1	
7	80-1417-552-00	Return Spring	1	1	1	1			1	1	1	1	
8	89-2512-000400	Snap Ring 40	1	1	1	1			1	1	1	1	
9	89-3115-062034	Bearing 6203 2RS	1	1	1	1			1	1	1	1	
10	83-1032-765-00	Tension Pulley	1	1	1	1			1	1	1	1	
11	89-2511-000170	Snap Ring 17	1	1	1	1			1	1	1	1	
12	89-2521-000150	E-Type Ring 15	1	1	1	1			1	1	1	1	
13	80-1417-546-10	Knife Tension Arm											
	80-1417-546-20	Knife Tension Arm	1	1	1	1			1	1	1	1	*1) *4)
14	89-2512-000400	Snap Ring 40	1	1	1	1			1	1	1	1	
15	89-3115-062034	Bearing 6203 2RS	1	1	1	1			1	1	1	1	
16	83-1032-765-00	Tension Pulley	1	1	1	1			1	1	1	1	
17	89-2511-000170	Snap Ring 17	1	1	1	1			1	1	1	1	
18	80-1417-568-10	Return Spring	1	1	1	1			1	1	1	1	
19	89-2521-000150	E-Type Ring 15	1	1	1	1			1	1	1	1	
20	80-1417-374-00	Brake Rod	1	1	1	1			1	1	1	1	
21	80-1417-371-00	Knife Brake	1	1	1	1			1	1	1	1	
22	83-1020-363-00	Thrust Washer 16*24*1	2	2	2	2			2	2	2	2	
23	89-2521-000150	E-Type Ring 15	2	2	2	2			2	2	2	2	
24	80-1417-373-00	Return Spring	1	1	1	1			1	1	1	1	
25	80-1417-503-10	Engine Pulley Cover (Right)	1	1	1	1			1	1	1	1	
26	80-1417-505-10	Engine Pulley Cover (Left)	1	1	1	1			1	1	1	1	
27	89-1133-080162	Hexagonal Bolt (PWSW) M8*16	2	2	2	2			2	2	2	2	
28	89-1113-080162	Hexagonal Bolt (8T) M8*16	4	4	4	4			4	4	4	4	
29	89-1750-080002	Spring Washer 8	4	4	4	4			4	4	4	4	

*1)Interchangeable

*2)Serial Number SH60 : XH96A00001~ SH70 : XJ97B00001~

*3)Serial Number SH60 : XH97B00001~ SH70 : XJ97B00001~

*4)Serial Number SH60 : XH97K00266~ SH70 : XJ97L00056~

*5)Serial Number SH60 : XH97L00981~ SH70 : XJ97L00056~

*6)Serial Number SH70 : XJ98G00092~

*7)Serial Number SH60 : XH01A00995~XH01D00037 SH70 : XJ01A00475~XJ01E00108

*8)Serial Number SH60 : XH01K00038~ SH70 : XJ01K00110~

*9)Serial Number SH60 : XH02J00011~ SH70 : XJ02L00025~

*10)Serial Number SH60 : XH03C00001~ SH70 : XJ03B00001~

*11)Serial Number SH60 : ~XH03C00080 SH70 : ~XJ03C00236

*12)Serial Number SH60 : XH03G00081~ SH70 : XJ03H00237~

Fig 3 Engine Parts

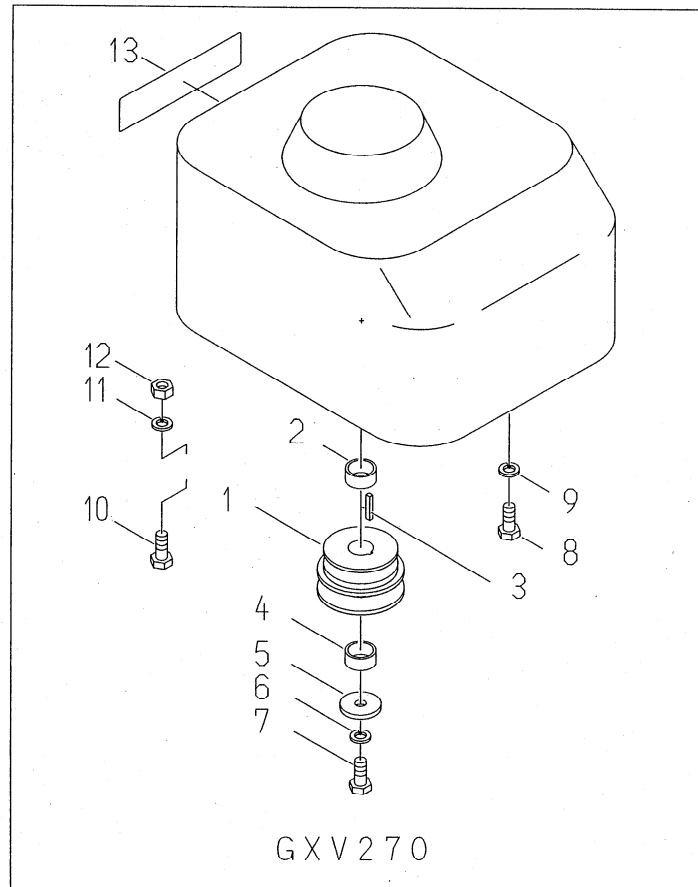
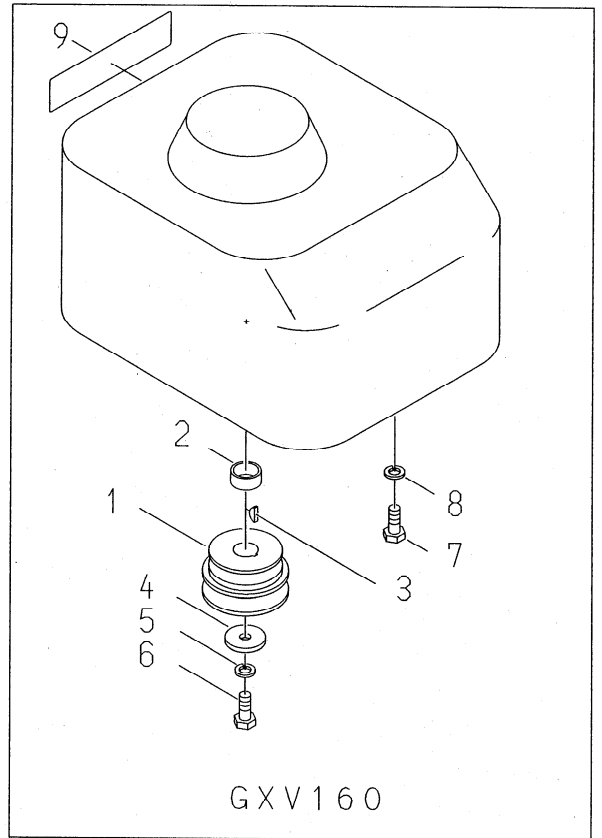
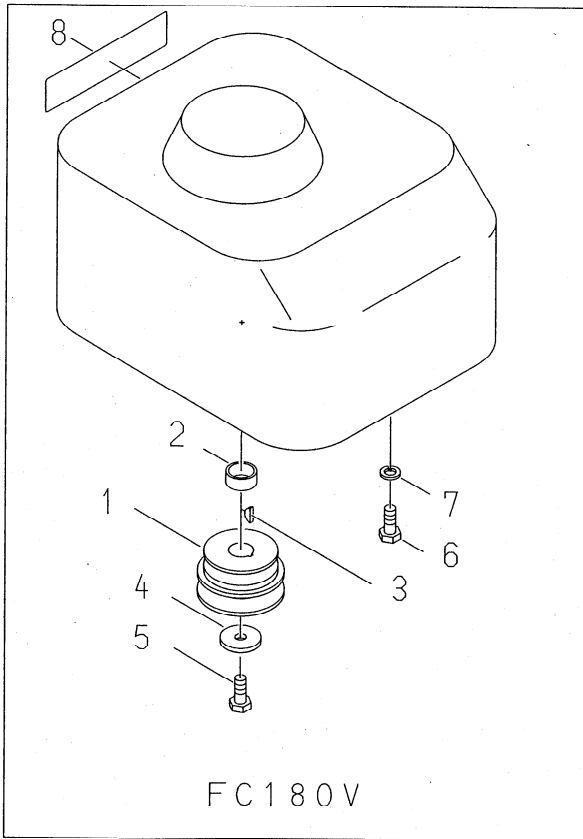


FIG. 3 Engine Parts (KAWASAKI FC180V)

Ref.	Parts No.	Parts Name	Quantity										Remarks	
			SH											
			60A			70A		Blade	60C			70C		
			FC	GXV	GXV	GXV	2Action	FC	GXV	GXV	GXV			
180V	160	270	270	Type	180V	160	270	270						
1	80-1417-514-10	Engine Pulley												
	80-1417-514-20	Engine Pulley	1						1					*1) *4)
2	80-1417-516-10	Pulley Collar (L12.5)	1						1					
3	89-2160-040160	Key 4*16	1						1					
4	83-1610-321-00	Washer 10*36*4.5	1						1					
5	83-1020-118-00	Hexagonal Bolt 3/8-24*32UNF	1						1					
6	89-1113-100252	Hexagonal Bolt (8T) M10*25	4						4					
7	89-1750-100002	Spring Washer 10	4						4					
8	83-1415-909-00	Sticker for Engine(Z18-6)	1	1	1	1			1					
	0223-76200	Sticker for Engine							1					*1) *10)

FIG. 3 Engine Parts (HONDA GX160)

Ref.	Parts No.	Parts Name	Quantity										Remarks	
			SH											
			60A			70A		Blade	60C			70C		
			FC	GXV	GXV	GXV	2Action	FC	GXV	GXV	GXV			
180V	160	270	270	Type	180V	160	270	270						
1	80-1417-515-10	Engine Pulley		1						1				
2	80-1417-517-10	Pulley Collar (L15.5)		1						1				
3	89-2160-040160	Key 4*16		1						1				
4	83-1610-321-00	Washer 10*36*4.5		1						1				
5	89-1750-100002	Spring Washer 10		1						1				
6	89-1113-100352	Hexagonal Bolt (8T) M10*35		1						1				
7	83-1482-116-00	Hexagonal Bolt UNF5/16-24*25		4						4				
8	89-1750-080002	Spring Washer 8		4						4				
9	83-1415-909-00	Sticker for Engine(Z18-6)	1	1	1	1				1				
	0223-76200	Sticker for Engine								1				*1) *10)

FIG. 3 Engine Parts (HONDA GXV270)

Ref.	Parts No.	Parts Name	Quantity										Remarks	
			SH											
			60A			70A		Blade	60C			70C		
			FC	GXV	GXV	GXV	2Action	FC	GXV	GXV	GXV			
180V	160	270	270	Type	180V	160	270	270						
1	80-1437-514-10	Engine Pulley			1	1						1	1	
2	80-1437-516-10	Pulley Collar (L23)			1	1						1	1	
3	83-1437-205-00	Key 1/4"*40			1	1						1	1	
4	80-1330-515-00	Pulley Collar (L13)			1	1						1	1	
5	83-1482-319-00	Washer 11*36*4.5			1	1						1	1	
6	89-1750-120002	Spring Washer 12			1	1						1	1	
7	83-1437-115-00	Hexagonal Bolt (8T) UNF7/16*35			1	1						1	1	
8	83-1482-116-00	Hexagonal Bolt UNF5/16-24*25			2	2						2	2	
9	89-1750-080002	Spring Washer 8			2	2						2	2	
10	89-1113-080402	Hexagonal Bolt (8T) M8*40			2	2						2	2	
11	89-1750-080002	Spring Washer 8			2	2						2	2	
12	89-1511-080042	Hexagonal Nut M8			2	2						2	2	
13	83-1415-909-00	Sticker for Engine(Z18-6)	1	1	1	1						1	1	
	0223-76200	Sticker for Engine										1	1	*1) *10)

Fig 4 Transmission Outside & Rear Wheel

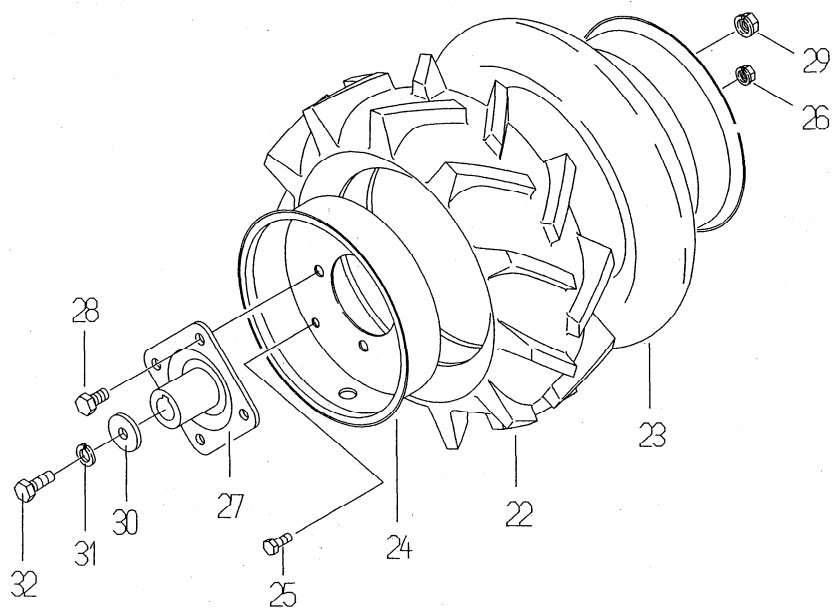
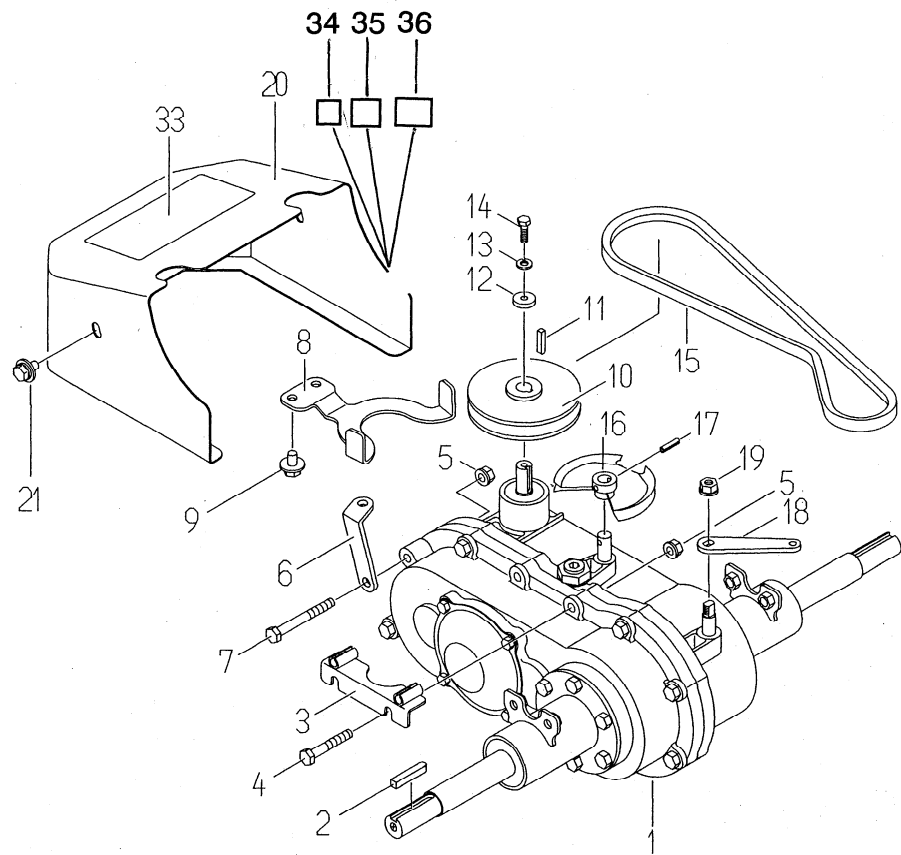


FIG. 4 Transmission Outside & Rear Wheel

Ref.	Parts No.	Parts Name	Quantity										Remarks	
			SH											
			60A			70A	Blade	60C			70C			
			FC	GXV	GXV	GXV	2Action	FC	GXV	GXV	GXV			
180V	160	270	270	Type	180V	160	270	270						
1	80-1417-100-10	Transmission Case ASSY												
	80-1417-100-20	Transmission Case ASSY	1	1	1	1				1	1	1	1	*1)
2	89-2151-070400	Key 7*40												
	89-2150-070500	Key 7*50	2	2	2	2				2	2	2	2	*4)
3	80-1417-195-00	Receiver for Change Wire	1	1	1	1				1	1	1	1	
4	89-1251-080502	Bolt M8*50	8	8	8	8				8	8	8	8	
5	89-1555-080002	U-Type Nut M8	12	12	12	12				12	12	12	12	
6	80-1417-198-00	Transmission Arm	1	1	1	1				1	1	1	1	
7	89-1251-080702	Bolt M8*70	1	1	1	1				1	1	1	1	
8	80-1417-527-10	Driving Belt Stopper	1	1	1	1				1	1	1	1	
9	89-1133-080162	Hexagonal Bolt (PWSW) M8*16	3	3	3	3				3	3	3	3	
10	80-1417-521-10	Transmission Pulley	1	1	1	1				1	1	1	1	
11	89-2151-050250	Key 5*25	1	1	1	1				1	1	1	1	
12	83-1482-311-00	Washer 6*22*3.2	1	1	1	1				1	1	1	1	
13	89-1750-060002	Spring Washer 6	1	1	1	1				1	1	1	1	
14	89-1113-060202	Hexagonal Bolt (8T) 6*20	1	1	1	1				1	1	1	1	
15	89-6122-003501	V Belt SA-35	1	1	1	1				1	1	1	1	
16	80-1417-191-00	Wire Guard A	1	1	1	1				1	1	1	1	
17	89-2111-050020	Spring Pin 5x20	1	1	1	1				1	1	1	1	
18	80-1417-153-00	Differential Lock Arm	1	1	1	1				1	1	1	1	
19	89-1541-080002	Hexagonal Nut (SW) M8	1	1	1	1				1	1	1	1	
20	80-1417-504-00	Transmission Pulley Cover												
	80-1417-504-10	Transmission Pulley Cover	1	1	1	1				1	1	1	1	*1)
21	89-1133-080162	Hexagonal Bolt (PWSW) M8*16	2	2	2	2				2	2	2	2	
22	80-1711-401-00	Tire (400-7)	2	2	2	2				2	2	2	2	
23	80-1711-404-00	Tube (400-7)	2	2	2	2				2	2	2	2	
24	80-1711-407-00	Wheel Assy (400-7)	2	2	2	2				2	2	2	2	
25	89-1111-080202	Hexagonal Bolt M8*20	8	8	8	8				8	8	8	8	
26	89-1541-080002	Hexagonal Nut (SW) M8	8	8	8	8				8	8	8	8	
27	80-1565-413-00	Wheel Boss												
	80-1565-413-10	Wheel Boss	2	2	2					2	2	2		*1)
	80-1437-413-10	Wheel Boss				2							2	
28	89-1111-100202	Hexagonal Bolt M10*20	8	8	8	8				8	8	8	8	
29	89-1541-100002	Hexagonal Nut (SW) M10	8	8	8	8				8	8	8	8	
30	83-1610-321-00	Washer 10*36*4.5												
31	89-1750-100002	Spring Washer 10												
32	89-1113-100252	Hexagonal Bolt (8T) M10*25												
33	80-1484-A47-00	Label, Caution (large)	1	1	1	1								
	0223-76100	Label, Caution (large)	1	1	1	1				1	1	1	1	*1) *10)
34	80-1010-933-00	Label, CE	1	1	1	1				1	1	1	1	Not for Sale
35	80-1020-932-00	Label, Noise 100db	1	1	1	1				1	1	1	1	Not for Sale
36		Serial Number	1	1	1	1				1	1	1	1	Not for Sale

Fig 5 Transmission

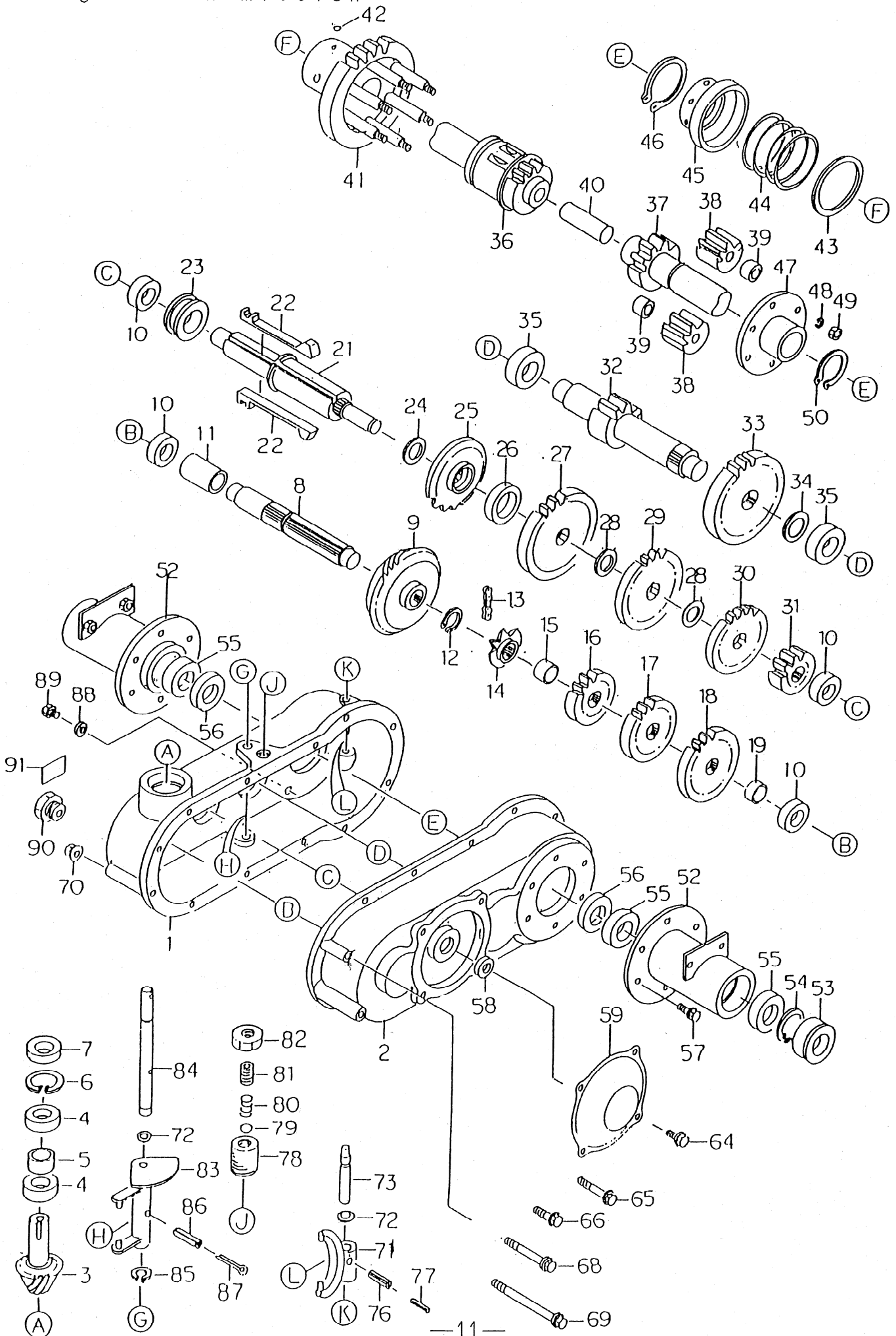


FIG. 5 Transmission

Ref.	Parts No.	Parts Name	Quantity										Remarks
			SH										
			60A			70A	Blade	60C			70C		
			FC 180V	GXV 160	GXV 270	GXV 270	2Action Type	FC 180V	GXV 160	GXV 270	GXV 270		
1	80-1482-101-00	Transmission Case (Left)	1	1	1	1			1	1	1	1	
2	80-1482-103-00	Transmission Case (Right)	1	1	1	1			1	1	1	1	
3	80-1481-118-00	A Axle 15T	1	1	1	1			1	1	1	1	
4	89-3115-062024	Bearing 6202 2RS	2	2	2	2			2	2	2	2	
5	80-1482-119-00	A Axle Collar 9	1	1	1	1			1	1	1	1	
6	89-2512-000350	Snap Ring 35	1	1	1	1			1	1	1	1	
7	89-5121-153507	Oil Seal AD.15.35.7	1	1	1	1			1	1	1	1	
8	80-1482-122-00	B Axle	1	1	1	1			1	1	1	1	
9	80-1482-127-00	Bevel Gear 45T	1	1	1	1			1	1	1	1	
10	89-3111-062024	Bearing 6202	4	4	4	4			4	4	4	4	
11	80-1482-131-00	Collar 18*22*34	1	1	1	1			1	1	1	1	
12	89-2511-000170	Snap Ring 17	1	1	1	1			1	1	1	1	
13	89-6513-420024	Chain 420-24L	1	1	1	1			1	1	1	1	
14	80-1482-128-00	B Axle Sprocket 8T	1	1	1	1			1	1	1	1	
15	80-1417-129-00	Collar 18*22*16.5	1	1	1	1			1	1	1	1	
16	80-1417-123-00	B Axle Gear 20T	1	1	1	1			1	1	1	1	
17	80-1417-124-00	B Axle Gear 26T	1	1	1	1			1	1	1	1	
18	80-1481-125-00	B Axle Gear 33T	1	1	1	1			1	1	1	1	
19	80-1482-130-00	Collar 18*22*11	1	1	1	1			1	1	1	1	
21	80-1482-132-00	C Axle	1	1	1	1			1	1	1	1	
22	80-1482-113-00	Shift Key	2	2	2	2			2	2	2	2	
23	80-1481-111-00	Shift Key Holder	1	1	1	1			1	1	1	1	
24	80-1481-139-00	C Axle Washer 29*40*1.0	1	1	1	1			1	1	1	1	
25	80-1482-138-00	Sprocket 18T	1	1	1	1			1	1	1	1	
26	80-1417-136-00	C Axle Collar	1	1	1	1			1	1	1	1	
27	80-1417-137-00	C Axle Gear 45T	1	1	1	1			1	1	1	1	
28	80-1482-139-00	C Axle Thrust Washer	2	2	2	2			2	2	2	2	
29	80-1417-138-00	C Axle Gear 39T	1	1	1	1			1	1	1	1	
30	80-1417-135-00	C Axle Gear 33T	1	1	1	1			1	1	1	1	
31	80-1482-133-00	C Axle Gear 12T	1	1	1	1			1	1	1	1	
32	80-1482-142-00	D Axle											
33	80-1482-144-00	D Axle Gear 36T	1	1	1	1			1	1	1	1	
34	83-1830-368-00	Thrust Washer 18*26*1.0	1	1	1	1			1	1	1	1	
35	89-3111-062034	Bearing 6203	2	2	2	2			2	2	2	2	
36	80-1417-146-00	Axle (Left) CMP											
37	80-1417-147-00	Axle (Right) CMP											
38	80-1481-152-00	Differential Gear 11T											
39	80-1481-155-00	Differential Gear Axle Collar											
40	80-1415-150-00	Axle Pin											
41	80-1481-148-00	Axle Gear CMP											
42	89-3410-075000	Steel Ball 7.5											
43	83-1830-382-00	Thrust Washer 40*48*1.0											
44	80-1417-162-00	Differential Lock Spring											
45	80-1425-143-00	Differential Lock Cone											
46	89-2511-000400	Snap Ring 40											
47	80-1481-151-00	Differential Lock Plate											
48	89-1750-100002	Spring Washer											
49	89-1513-100042	Hexagonal Nut M10											
50	89-2511-000280	Snap Ring 28											
52	80-1417-156-10	Axle BB Case CMP											
53	83-1415-663-00	Oil Seal AP30.47.7											

FIG. 5 Transmission

Ref.	Parts No.	Parts Name	Quantity										Remarks	
			SH											
			60A			70A	Blade	60C			70C			
			FC	GXV	GXV	GXV	2Action	FC	GXV	GXV	GXV			
180V	160	270	270	Type	180V	160	270	270						
54	89-2512-000470	Snap Ring 47												
55	89-3115-060054	Bearing 6005 2RS												
56	89-5121-284708	Oil Seal UE 28.47.8												
57	83-1482-143-00	Hexagonal Tap Bolt M10*25	12	12	12	12			12	12	12	12		
58	89-5121-153007	Oil Seal UE 15.30.7	1	1	1	1			1	1	1	1		
59	80-1417-285-00	Brake Axle Cover	1	1	1	1			1	1	1	1		
64	83-1020-148-00	Hexagonal Tap Bolt M6*14	4	4	4	4			4	4	4	4		
65	89-1251-080502	Washer Bolt M8*50	8	8	8	8			8	8	8	8		
66	89-1251-080402	Washer Bolt M8*40	1	1	1	1			1	1	1	1		
68	89-1251-080702	Washer Bolt M8*70	1	1	1	1			1	1	1	1		
69	89-1251-081402	Washer Bolt M8*140	2	2	2	2			2	2	2	2		
70	89-1555-080002	U Type Nut M8	12	12	12	12			12	12	12	12		
71	80-1830-113-00	Differential Lock Fork	1	1	1	1			1	1	1	1		
72	89-5221-009000	O Type Ring P9	2	2	2	2			2	2	2	2		
73	80-1481-116-00	Differential Lock Fork Axle	1	1	1	1			1	1	1	1		
76	89-2111-050020	Spring Pin 5*20	1	1	1	1			1	1	1	1		
77	89-2111-030020	Spring Pin 3*20	1	1	1	1			1	1	1	1		
78	80-1482-162-00	Screw for Adjusting Notch	1	1	1	1			1	1	1	1		
79	89-3410-080000	Steel Ball 8	1	1	1	1			1	1	1	1		
80	80-1481-160-00	Spring 1.0	1	1	1	1			1	1	1	1		
81	89-1172-100161	Screw M10*16	1	1	1	1			1	1	1	1		
82	89-1514-160042	Hexagonal Nut (3 sort) M16	1	1	1	1			1	1	1	1		
83	80-1482-108-00	Shift Fork	1	1	1	1			1	1	1	1		
84	80-1417-110-00	Shift Fork Axle	1	1	1	1			1	1	1	1		
85	89-2511-000120	Snap Ring 12	1	1	1	1			1	1	1	1		
86	89-2111-050020	Spring Pin 5*20	1	1	1	1			1	1	1	1		
87	89-2120-300252	Split Pin 3*25	1	1	1	1			1	1	1	1		
88	89-5230-100000	Seal Washer 10	1	1	1	1			1	1	1	1		
89	89-1111-100122	Hexagonal Bolt M10*12	1	1	1	1			1	1	1	1		
90	83-1032-689-00	Oil Gauge M28	1	1	1	1			1	1	1	1		
91	83-1712-923-00	Oil Mark 1.6	1	1	1	1			1	1	1	1		

*1)Interchangeable

*2)Serial Number SH60 : XH96A00001~ SH70 : XJ97B00001~

*3)Serial Number SH60 : XH97B00001~ SH70 : XJ97B00001~

*4)Serial Number SH60 : XH97K00266~ SH70 : XJ97L00056~

*5)Serial Number SH60 : XH97L00981~ SH70 : XJ97L00056~

*6)Serial Number SH70 : XJ98G00092~

*7)Serial Number SH60 : XH01A00995~XH01D00037 SH70 : XJ01A00475~XJ01E00108

*8)Serial Number SH60 : XH01K00038~ SH70 : XJ01K00110~

*9)Serial Number SH60 : XH02J00011~ SH70 : XJ02L00025~

*10)Serial Number SH60 : XH03C00001~ SH70 : XJ03B00001~

*11)Serial Number SH60 : ~XH03C00080 SH70 : ~XJ03C00236

*12)Serial Number SH60 : XH03G00081~ SH70 : XJ03H00237~

Fig 5 Transmission

XH97K00266~
XJ97L00056~

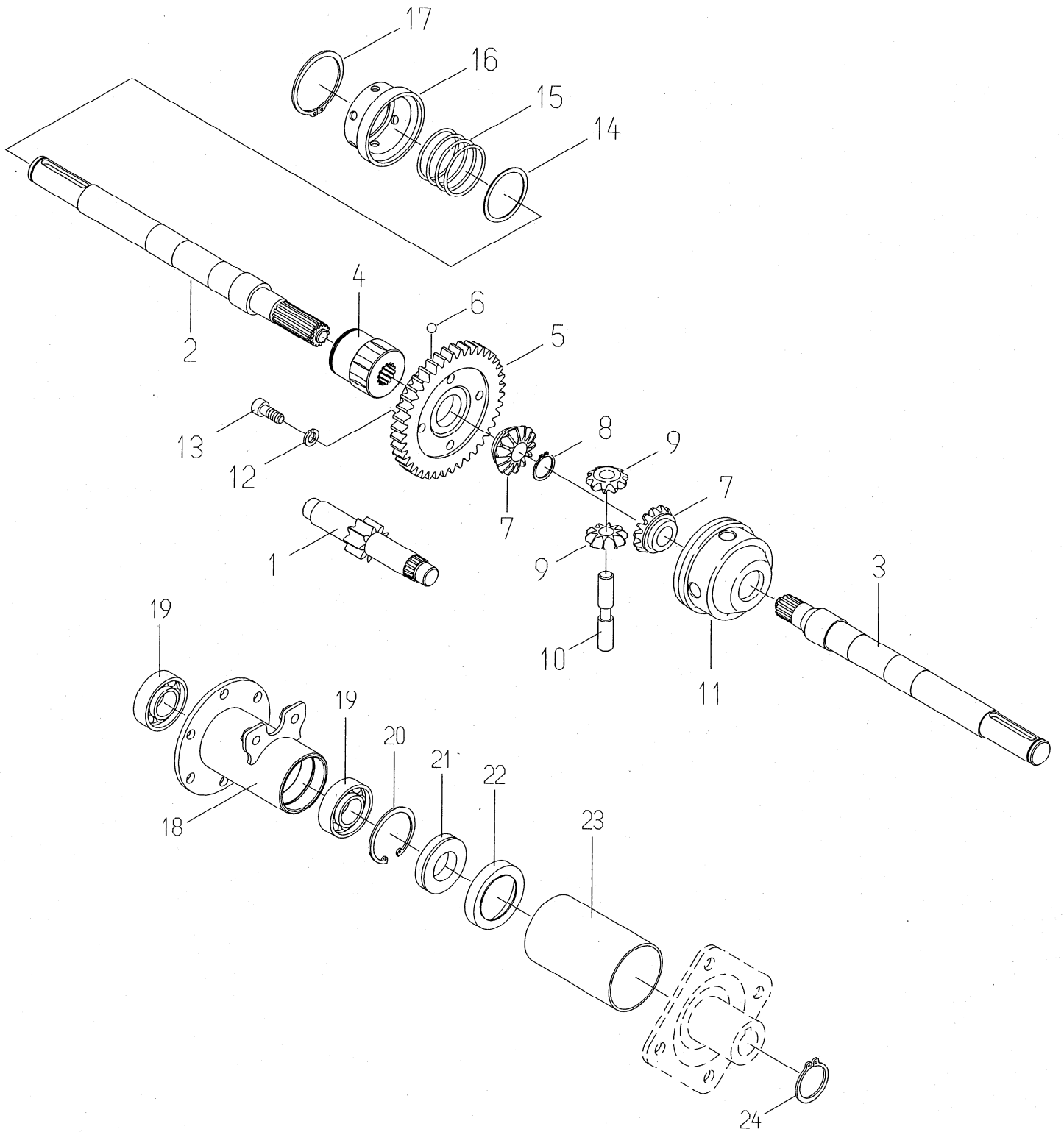


FIG. 5 Transmission

Ref.	Parts No.	Parts Name	Quantity										Remarks
			SH										
			60A			70A	Blade	60C			70C		
			FC	GXV	GXV	GXV	2Action	FC	GXV	GXV	GXV		
180V	160	270	270	Type	180V	160	270	270					
1	80-1417-142-00	D Axle	1	1	1	1		1	1	1	1	*4)	
2	80-1417-146-50	Axle(L)	1	1	1	1		1	1	1	1	*4)	
3	80-1417-147-60	Axle(R)	1	1	1	1		1	1	1	1	*4)	
4	80-1417-143-10	Differential Lock Shaft	1	1	1	1		1	1	1	1	*4)	
5	80-1417-148-00	Axle 40T Gear	1	1	1	1		1	1	1	1	*4)	
6	89-3410-075000	Steel Ball 7.5	3	3	3	3		3	3	3	3		
7	80-1260-152-00	Differential Lock Gear	2	2	2	2		2	2	2	2	*4)	
8	89-2511-000200	Snap Ring 20	1	1	1	1		1	1	1	1	*4)	
9	80-1260-153-00	Pinion 10T Gear	2	2	2	2		2	2	2	2	*4)	
10	80-1260-155-10	Differential Pinion Shaft	1	1	1	1		1	1	1	1	*4)	
11	80-1260-151-00	Differential Lock Case	1	1	1	1		1	1	1	1	*4)	
12	89-1750-080002	Spring Washer 8	4	4	4	4		4	4	4	4	*4)	
13	83-1981-149-00	Hexagonal Bolt with Hole M8*20	4	4	4	4		4	4	4	4	*4)	
14	83-1830-382-00	Thrust Washer 40*48*1.0	1	1	1	1		1	1	1	1		
15	80-1417-162-00	Differential Lock SP	1	1	1	1		1	1	1	1		
16	80-1425-143-00	Differential Lock Corn	1	1	1	1		1	1	1	1		
17	89-2511-000400	Snap Ring 40	1	1	1	1		1	1	1	1		
18	80-1417-156-10	Axle BB Case CMP	2	2	2	2		2	2	2	2		
19	89-3111-060054	Bearing 6005	4	4	4	4		4	4	4	4	*4)	
20	89-2512-000470	Snap Ring 47	2	2	2	2		2	2	2	2		
21	83-1415-663-00	Oil Seal AP 30.47.7	2	2	2	2		2	2	2	2		
22	80-1415-441-00	Dust Cover	2	2	2	2		2	2	2	2	*3)	
23	80-1417-411-00	Axle Cover Pipe	2	2	2			2	2	2		*3)	
	80-1437-411-00	Axle Cover Pipe				2					2	*3)	
24	89-2511-000220	Snap Ring 22	2	2	2	2		2	2	2	2	*4)	

*1)Interchangeable

*2)Serial Number SH60 : XH96A00001~ SH70 : XJ97B00001~

*3)Serial Number SH60 : XH97B00001~ SH70 : XJ97B00001~

*4)Serial Number SH60 : XH97K00266~ SH70 : XJ97L00056~

*5)Serial Number SH60 : XH97L00981~ SH70 : XJ97L00056~

*6)Serial Number SH70 : XJ98G00092~

*7)Serial Number SH60 : XH01A00995~XH01D00037 SH70 : XJ01A00475~XJ01E00108

*8)Serial Number SH60 : XH01K00038~ SH70 : XJ01K00110~

*9)Serial Number SH60 : XH02J00011~ SH70 : XJ02L00025~

*10)Serial Number SH60 : XH03C00001~ SH70 : XJ03B00001~

*11)Serial Number SH60 : ~XH03C00080 SH70 : ~XJ03C00236

*12)Serial Number SH60 : XH03G00081~ SH70 : XJ03H00237~

Fig 6 Knife Cover

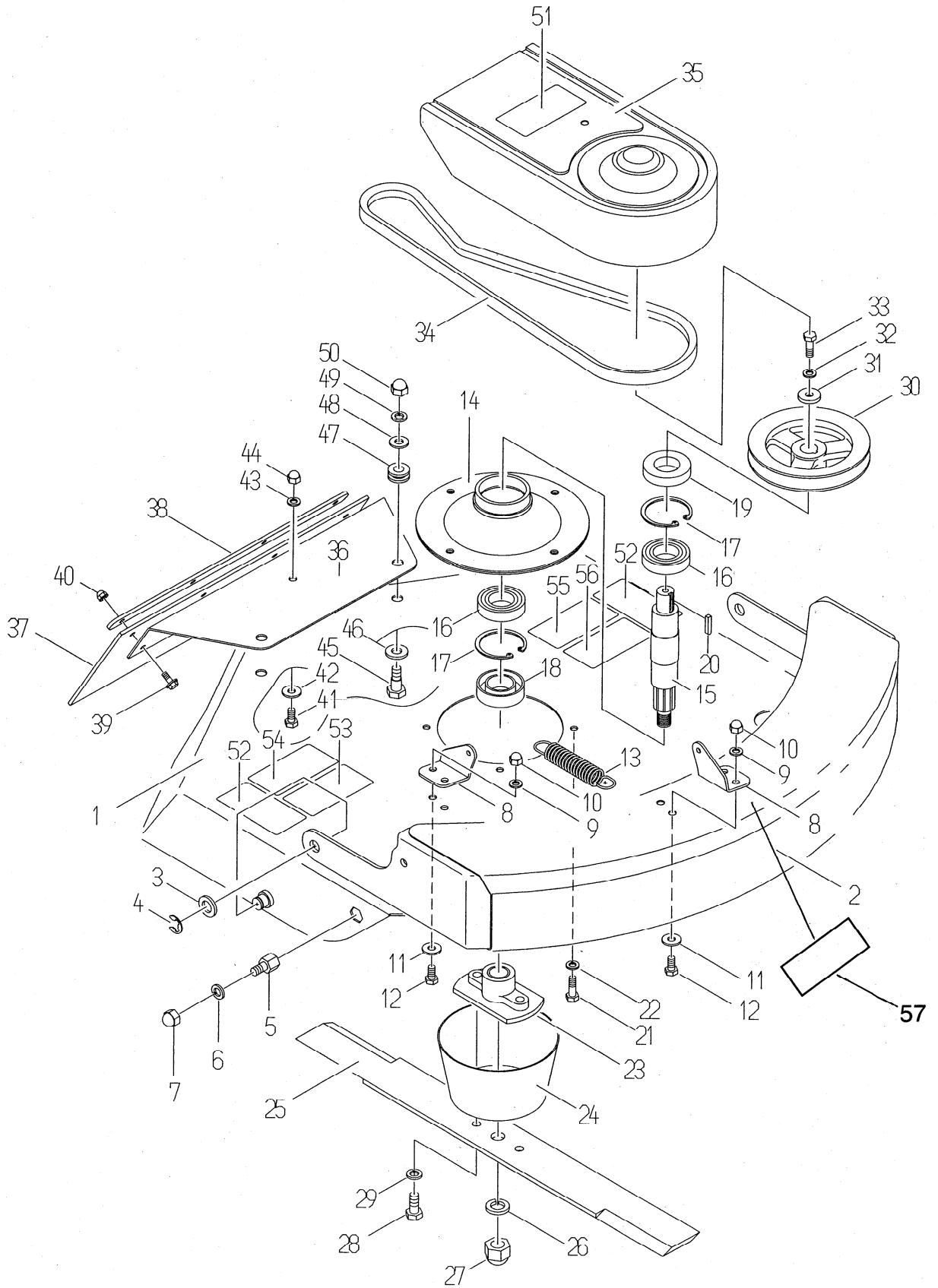


FIG. 6 Knife Cover

Ref.	Parts No.	Parts Name	Quantity										Remarks	
			SH											
			60A			70A	Blade	60C			70C			
			FC 180V	GXV 160	GXV 270	GXV 270	2Action Type	FC 180V	GXV 160	GXV 270	GXV 270			
1	80-1417-731-10	Knife Cover CMP	1	1	1									
	0231-73100	Knife Cover CMP							1	1	1			*1) *9)
	80-1437-731-10	Knife Cover CMP												
	80-1437-731-20	Knife Cover CMP				1								*1) *6)
	0232-73100	Knife Cover CMP										1		*1) *9)
2	80-1417-733-00	Front Guard CMP	1	1	1				1	1	1			
	80-1437-733-00	Front Guard CMP				1							1	
3	83-1630-342-00	Washer 16*26*2.3	2	2	2	2			2	2	2	2		
4	89-2521-000150	E Type Ring 15												
	89-2521-000120	E Type Ring 12	2	2	2	2			2	2	2	2		
5	80-1417-736-00	Bolt for Fixing Front Guard	2	2	2	2			2	2	2	2		
6	89-1750-100002	Spring Washer 10	2	2	2	2			2	2	2	2		
7	89-1571-100042	Nut M10	2	2	2	2			2	2	2	2		
8	80-1020-705-30	Lock Arm Bracket A	2	2	2	2			2	2	2	2		
9	89-1750-080002	Spring Washer 8	4	4	4	4			4	4	4	4		
10	89-1571-080042	Nut M8	4	4	4	4			4	4	4	4		
11	89-1714-080002	Flat Washer 8	4	4	4	4			4	4	4	4		
12	89-1113-080162	Hexagonal Bolt (8T) M8*16	4	4	4	4			4	4	4	4		
13	80-1417-735-00	Spring	1	1	1	1			1	1	1	1		
14	80-1417-601-00	Knife BB Case	1	1	1	1			1	1	1	1		
15	80-1417-641-00	Knife Axle	1	1	1	1								
	0231-64100	Knife Axle							1	1	1	1		*1) *9)
16	89-3115-060064	Bearing 6006 2RS	2	2	2	2			2	2	2	2		
17	89-2512-000550	Snap Ring 55	2	2	2	2			2	2	2	2		
18	83-1415-662-00	Oil Seal AP 35.55.8	1	1	1	1			1	1	1	1		
19	89-5121-305512	Oil Seal UE 30.55.12	1	1	1	1			1	1	1	1		
20	89-2151-050250	Key 5x25	1	1	1	1			1	1	1	1		
21	89-1113-080252	Hexagonal Bolt (8T) M8*25	4	4	4	4			4	4	4	4		
22	89-1750-080002	Spring Washer 8	4	4	4	4			4	4	4	4		
23	80-1415-733-00	Knife Bracket	1	1	1	1			1	1	1	1		
24	80-1415-836-00	Knife Neck Guard	1	1	1	1			1	1	1	1		
25	80-1415-821-00	Bar Knife	1	1	1				1	1	1			
	80-1445-821-00	Bar Knife				1						1		
26	89-1750-160002	Spring Washer 16	1	1	1	1			1	1	1	1		
27	89-1572-160042	Nut M16	1	1	1	1			1	1	1	1		
28	89-1113-100252	Hexagonal Bolt (8T) M10*25	2	2	2	2			2	2	2	2		
29	89-1750-100002	Spring Washer 10	2	2	2	2			2	2	2	2		
30	80-1415-571-00	Knife Pulley	1	1	1	1			1	1	1	1		
31	80-1020-312-00	Washer 8*30*3.2	1	1	1	1			1	1	1	1		
32	89-1750-080002	Spring Washer 8	1	1	1	1			1	1	1	1		
33	89-1113-080252	Hexagonal Bolt (8T) M8*25	1	1	1	1			1	1	1	1		
34	89-6123-004401	V Belt SB 44	1	1	1	1			1	1	1	1		
35	80-1417-502-00	Knife Pulley Cover	1	1	1	1			1	1	1	1		
36	80-1417-751-00	Rear Guard	1	1	1									
	0231-75100	Rear Guard							1	1	1			*1) *9)
	80-1437-751-00	Rear Guard				1								
	0232-75100	Rear Guard										1		*1) *9)
37	80-1417-781-10	Rear Flapper	1	1	1				1	1	1			
	80-1437-781-10	Rear Flapper				1						1		

FIG. 6 Knife Cover

Ref.	Parts No.	Parts Name	Quantity											Remarks
			SH											
			60A			70A	Blade	60C			70C			
			FC	GXV	GXV	GXV	2Action	FC	GXV	GXV	GXV			
180V	160	270	270	Type	180V	160	270	270						
38	80-1417-785-10	Supporter for Flapper	1	1	1			1	1	1				
	80-1437-785-10	Supporter for Flapper				1							1	
39	89-1132-060162	Hexagonal Bolt (SW) M6*16	4	4	4	4		4	4	4	4			
40	83-1575-189-00	Nut M6	4	4	4	4		4	4	4	4			
41	89-1113-080162	Hexagonal Bolt (8T) M8*16	1	1	1	1		1	1	1	1			
42	89-1714-080002	Flat Washer 8	1	1	1	1		1	1	1	1			
43	89-1750-080002	Spring Washer 8	1	1	1	1		1	1	1	1			
44	89-1571-080042	Nut M8	1	1	1	1		1	1	1	1			
45	80-1450-709-00	Bolt for Attaching Stay	4	4	4	4		4	4	4	4			
46	89-1714-120002	Flat Washer 12	4	4	4	4		4	4	4	4			
47	83-1450-719-00	Grommet	4	4	4	4		4	4	4	4			
48	89-1714-100002	Flat Washer 10	4	4	4	4		4	4	4	4			
49	89-1750-100002	Spring Washer 10	4	4	4	4		4	4	4	4			
50	89-1571-100042	Nut M10	4	4	4	4		4	4	4	4			
51	83-1415-912-00	Obstacles	1	1	1	1								
	80-1488-928-10	Label, Caution for Belt Involving						1	1	1	1		*1) *10)	
52	80-1488-926-00	Attention Mark for Blade	2	2	2	2								
	80-1488-926-10	Attention Mark for Blade						2	2	2	2		*1) *10)	
53	83-1488-907-00	Attention Mark for Slope	1	1	1	1								
54	80-1488-928-00	Label, Caution for Belt Involving	1	1	1	1								
55	83-1260-908-00	Attention Mark for Reversing	1	1	1	1								
56	83-1415-913-00	Label, Protection for Eyes	1	1	1	1								
57	0203-71100	Label, Main (Shuttle Mower)	1	1	1	1		1	1	1	1			

*1)Interchangeable

*2)Serial Number SH60 : XH96A00001~ SH70 : XJ97B00001~

*3)Serial Number SH60 : XH97B00001~ SH70 : XJ97B00001~

*4)Serial Number SH60 : XH97K00266~ SH70 : XJ97L00056~

*5)Serial Number SH60 : XH97L00981~ SH70 : XJ97L00056~

*6)Serial Number SH70 : XJ98G00092~

*7)Serial Number SH60 : XH01A00995~XH01D00037 SH70 : XJ01A00475~XJ01E00108

*8)Serial Number SH60 : XH01K00038~ SH70 : XJ01K00110~

*9)Serial Number SH60 : XH02J00011~ SH70 : XJ02L00025~

*10)Serial Number SH60 : XH03C00001~ SH70 : XJ03B00001~

*11)Serial Number SH60 : ~XH03C00080 SH70 : ~XJ03C00236

*12)Serial Number SH60 : XH03G00081~ SH70 : XJ03H00237~

Fig 7 Front Wheel & Brake Set

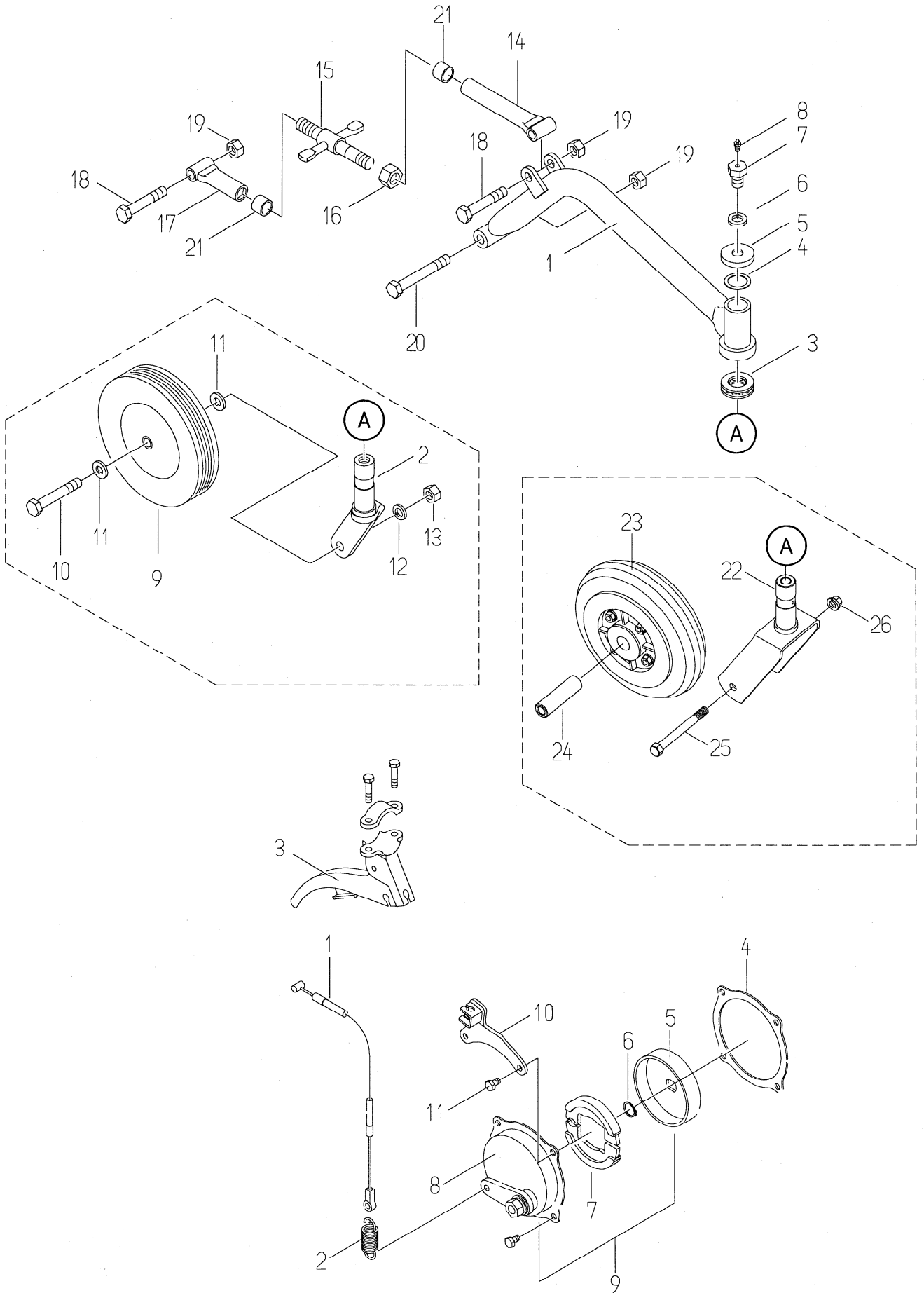


FIG. 7 Front Wheel

Ref.	Parts No.	Parts Name	Quantity											Remarks
			SH											
			60A			70A	Blade	60C			70C			
			FC	GXV	GXV	GXV	2Action	FC	GXV	GXV	GXV			
180V	160	270	270	Type	180V	160	270	270						
1	80-1417-723-00	Front Wheel Arm	1	1	1				1	1	1			
	80-1437-723-00	Front Wheel Arm				1						1		
2	80-1455-725-00	Front Wheel Fork	1	1	1	1			1	1	1	1	*11)	
3	89-3370-051105	Thrust Bearing 51105	1	1	1	1			1	1	1	1		
4	83-1783-376-00	Washer 25*34*1.0	1	1	1	1			1	1	1	1		
5	84-1783-729-00	Dust Cover	1	1	1	1			1	1	1	1		
6	89-1750-140002	Spring Washer 14	1	1	1	1			1	1	1	1		
7	84-1783-791-00	Nipple Bolt	1	1	1	1			1	1	1	1		
8	83-1415-975-00	Grease Nipple M6	1	1	1	1			1	1	1	1		
9	80-1610-727-00	Front Wheel	1	1	1	1			1	1	1	1	*11)	
10	89-1113-120752	Hexagonal Bolt M12*75	1	1	1	1			1	1	1	1	*11)	
11	89-1711-120002	Flat Washer 12	2	2	2	2			2	2	2	2	*11)	
12	89-1750-120002	Spring Washer 12	1	1	1	1			1	1	1	1	*11)	
13	89-1511-120042	Hexagonal Nut M12	1	1	1	1			1	1	1	1	*11)	
14	80-1417-742-00	Receiver for Adjusting Bolt (R)	1	1	1	1			1	1	1	1		
15	80-1415-743-00	Cutting Height Adjustment Bolt	1	1	1	1			1	1	1	1		
16	89-1511-160042	Hexagonal Nut M16	1	1	1	1			1	1	1	1		
17	80-1415-741-00	Receiver for Adjusting Bolt (L)	1	1	1	1			1	1	1	1		
18	89-1111-120602	Hexagonal Bolt M12*60	2	2	2	2			2	2	2	2		
19	89-1551-120002	U-Type Nut M12	3	3	3	3			3	3	3	3		
20	89-1111-120852	Hexagonal Bolt M12*85	1	1	1	1			1	1	1	1		
21	0231-74300	Cutting Height Adjustment Collar							2	2	2	2	*9)	
22	80-1614-725-20	Front Wheel Fork							1	1	1	1	*12)	
23	80-1614-727-00	Front Wheel							1	1	1	1	*12)	
24	80-1614-726-00	Front Wheel Collar							1	1	1	1	*12)	
25	89-1211-100952	Mini Hexagonal Bolt M10*95							1	1	1	1	*12)	
26	89-1543-100002	Mini Hexagonal Nut(SW) M10							1	1	1	1	*12)	
	5-1417-100-000	Front Wheel Arm Assy for SH60	1	1	1				1	1	1		1~14,18.19	
	5-1437-100-000	Front Wheel Arm Assy for SH70				1						1	1~14,18.19	

FIG. 7 Brake Set

Ref.	Parts No.	Parts Name	Quantity											Remarks
			SH											
			60A			70A	Blade	60C			70C			
			FC	GXV	GXV	GXV	2Action	FC	GXV	GXV	GXV			
180V	160	270	270	Type	180V	160	270	270						
	5-1417-310-000	Brake SET (SH60)	1	1	1	1			1	1	1	1	1~8,10.11	
1	83-1417-938-10	Parking Brake Wire	1	1	1	1			1	1	1	1		
2	80-1614-315-00	Spring	1	1	1	1			1	1	1	1		
3	83-1182-455-00	Lever 2301	1	1	1	1			1	1	1	1		
4	80-1030-288-00	Packing (Large)	1	1	1	1			1	1	1	1		
5	80-1030-282-00	Brake Durm	1	1	1	1			1	1	1	1		
6	89-2511-000150	Snap Ring (S15)	1	1	1	1			1	1	1	1		
7	80-1030-284-00	Brake Shoe	1	1	1	1			1	1	1	1		
8	80-1030-271-00	Brake Cap Assy	1	1	1	1			1	1	1	1		
9	80-1575-280-00	Brake Assy											5,7,8	
10	85-1417-291-10	Receiver for Brake Wire	1	1	1	1			1	1	1	1		
11	89-1111-060182	Bolt (M6*18)	2	2	2	2			2	2	2	2		