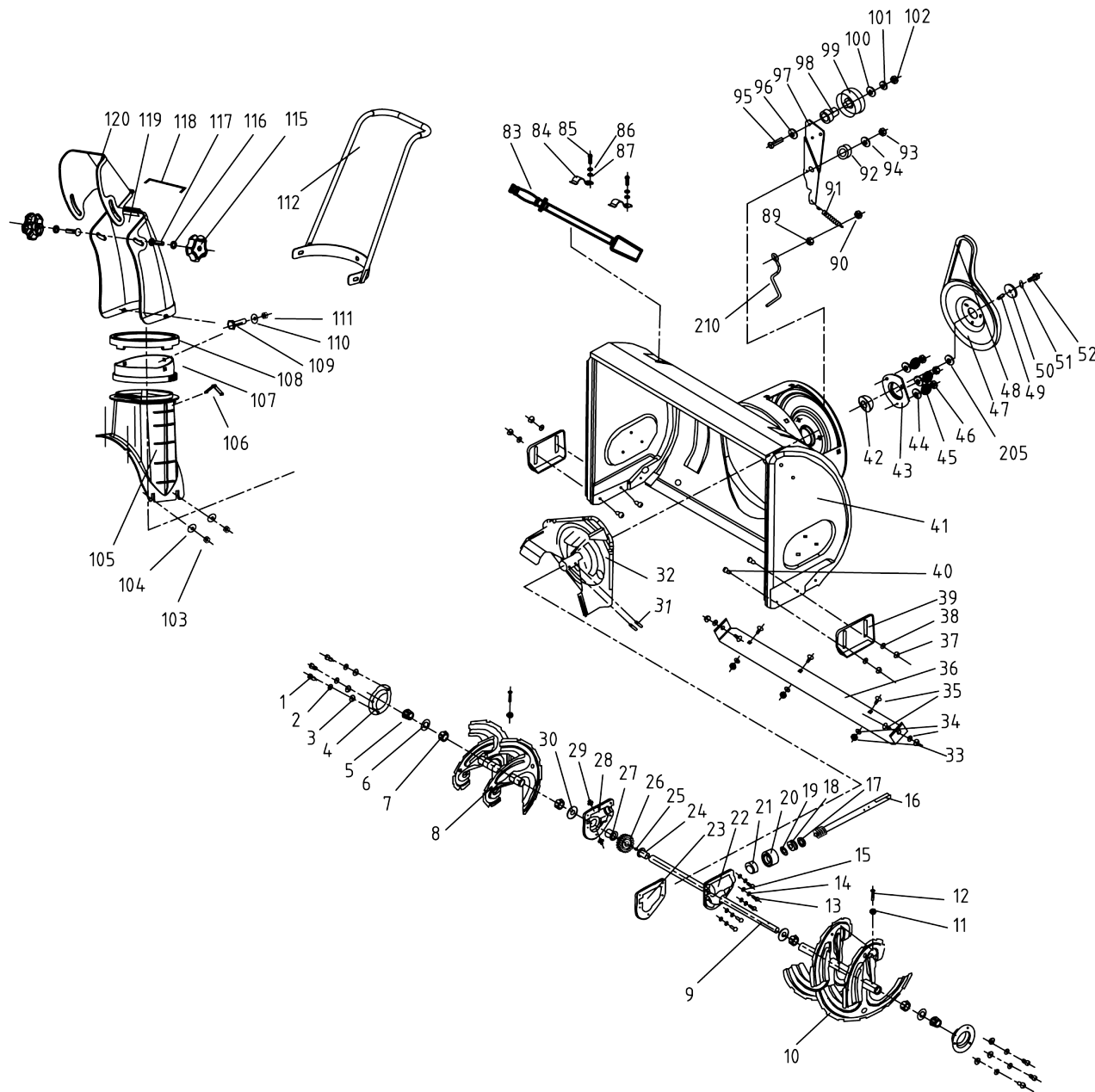


ROZKRES STROJE

SKŘÍŇ ŠNEKU FRÉZY

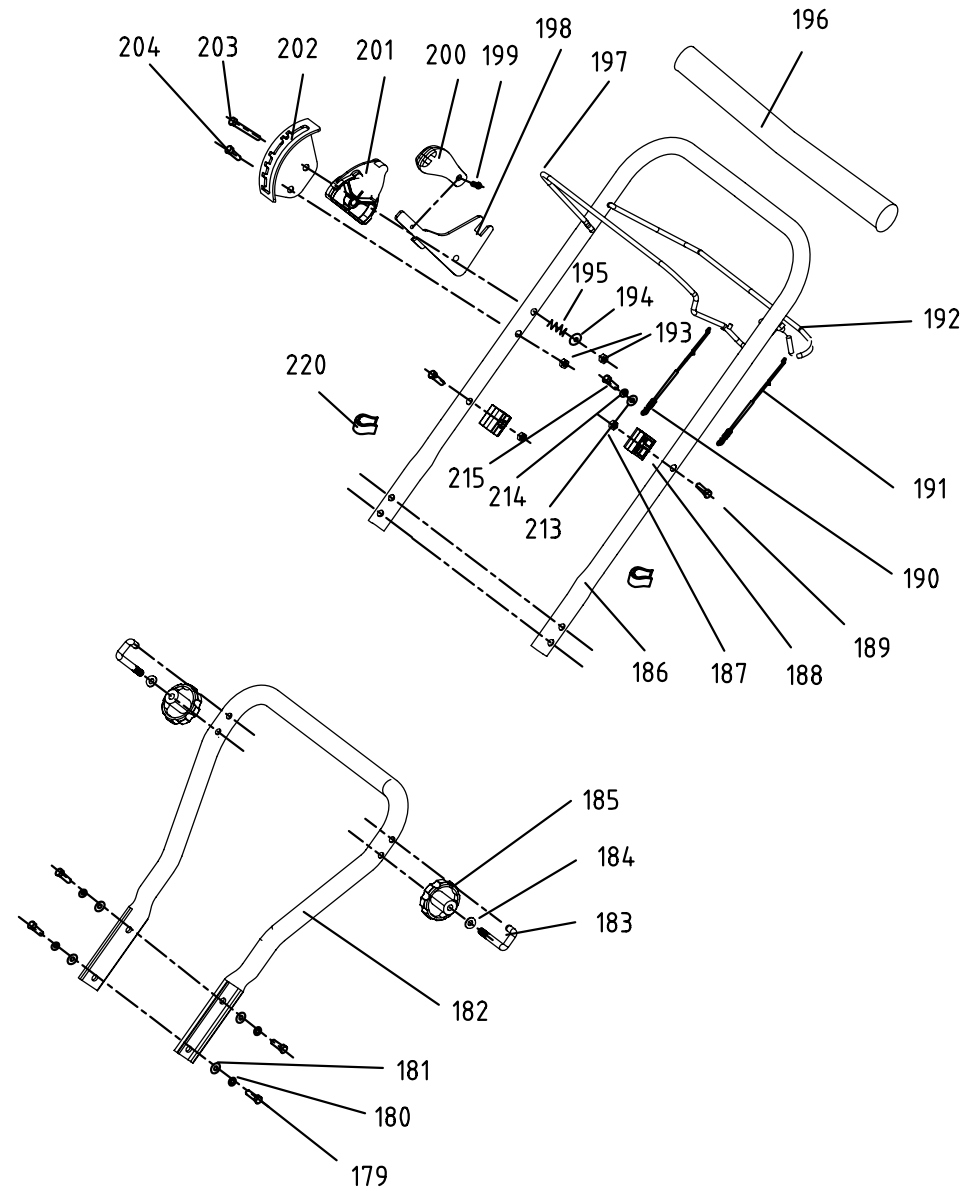


RapToR[®]
made for garden

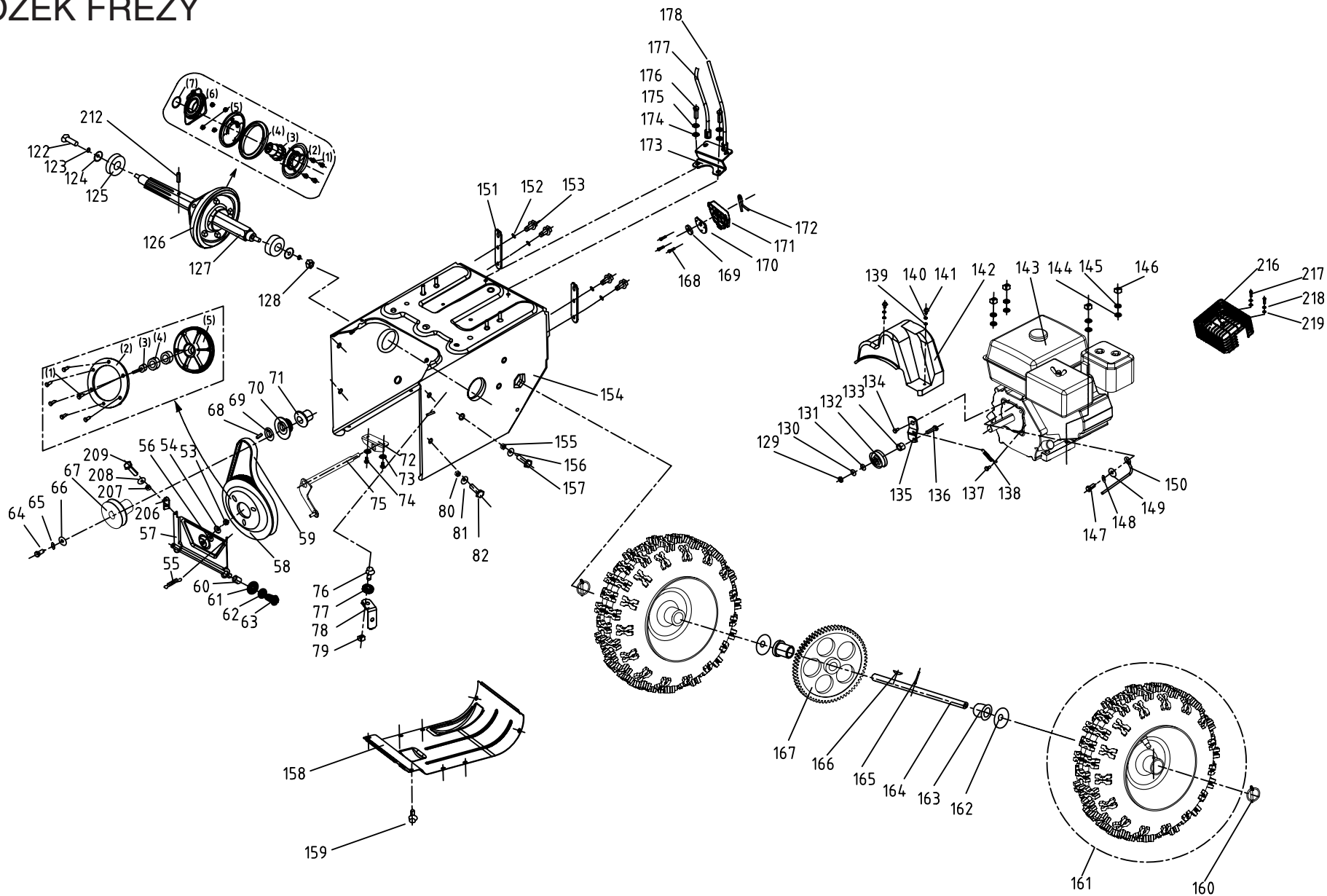
550

ROZKRES STROJE

OVLÁDACÍ PRVKY FRÉZY



PODVOZEK FRÉZY



Refe. No.	Part No.	English Name	Q'ty
1	8SFDD08-16D	Hex Screw	6
2	8WS-08D	Washer	6
3	8WF-08D	Flat Washer	6
4	8145-765001	Bearing Housing	2
5	8210-765001	Hex Flange Bearings	2
6	8202-765002	Flat Washer	10
7	8334-765001	Flange Bushing	4
8	8231-765902	Spiral Assembly RH	1
9	8081-765901	Auger Axle	1
10	8231-765901	Spiral Assembly LH	1
11	8NG-08D	Nylon Locknut	2
12	8086-765001	Shear Pin	2
13	8SFDD06-20D	Hex Washer Screw	6
14	8WS-06D	Washer	6
15	8WF-061216D	Flat Washer	6
16	8085-765901	Worm Shaft	1
17	8208-765003	Grease Plug	1
18	BK-203510-ST	Ball Thrust Bearing	1
19	8202-765003	Flap Gasket	1
20	BC-203709-ST	Deep Groove Ball Bearing	1
21	BC-122808-ST	Deep Groove Ball Bearing	1
22	8142-765004	LH Housing	1
23	8208-765002	Flat Washer	1
24	8334-765008	Flange Bearing	1
25		Semicircular Key	1
26	SJ-038	Worm Gear	1
27	8334-765008	Flange Bearing	1
28	8142-765005	RL Housing	1
29		Grease Cup	2
30		Reinforced Seal	2

Refe. No.	Part No.	English Name	Q'ty
31	8PB06-35B	Bow Tie Cotter Pin	2
32	8403-765901	Impeller Assembly	1
33	8NG-08D	Nylon Locknut	5
34	8WF-08D	Flap Gasket	5
35	8SLJD08-16D	Square Neck Bolt	5
36	8231-765903	Shave Plate	1
37	8NG-08D	Nylon Locknut	4
38	8WF-08D	Flap Gasket	4
39	8341-765001	Skid Shoe	2
40	8SLJD08-20D	Square Neck Bolt	4
41	8006-765902	Auger Housing Assembling	1
42	BH-204731-ST01	Ball Bearing	1
43	8186-765001	Housing	1
44	8WF-08D	Flap Gasket	3
45	8WS-08D	Washer	3
46	8NG-08D	Nylon Locknut	3
47	SJ-039	Auger Pulley	1
48	H955048	V-belt	1
49		Flat Key	1
50	8WF-08D	Flat Washer	1
51	8WS-08D	Washer	1
52	8SFDD08-20D	Hex Washer Screw	1
53	8NG-10D	Nut	1
54	8WS-10D	Washer	1
55	8342-765002	Extension Spring	1
56	8WF-10D	Flap Gasket	1
57	8292-765902	Friction Wheel Bearing Assembly	1
58	8122-765006	Friction Wheel Assembly	1
58—1	8SEAD06-10D	Plug Screw	6

Refe. No.	Part No.	English Name	Q'ty
58—2	8201-765002	Bearing Housing	1
58—3	8086-765901	Synchronizing Axle	1
58—1	BC-174012-ST	Ball Bearing	2
58—5	8122-765004	Big Pulley	1
59	H955059	Synchronous Belt	1
60	8063-765008	Spacer	1
61	8WF-06D	Flat Washer	1
62	8WS-06D	Washer	1
63	8SFDD06-16D	Hex Washer Screw	1
64	8SFDD08-35D	Hex Washer Screw	1
65	8WS-08D	Washer	1
66	8WF-08D	Flat Washer	1
67	8122-765902	Synchronous Belt	1
68		Flat Key	1
69	8334-765011	Adjusting Washer	1
70	8122-765001	Synchronous Pulley	1
71	8334-765009	Spacer	1
72	8186-765002	Shift Frame Bracket	1
73	8WS-06D	Washer	2
74	8SFDD06-12D	Hex Washer Screw	2
75	8087-765901	Track Shift Rod Assembly	1
76	8206-765902	Screw	1
77	8121-765005	Cable Roller	1
78	8186-765907	Front Support Guide Bracket	1
79	8NG-06D	Nylon Locknut	1
80	8WF-08D	Flat Washer	1
81	8WS-08D	Washer	1
82	8SFDD08-20D	Hex Washer Screw	1
83	8087-765701	Clear-out Tool	1

Ref. No.	Part No.	English Name	Q'ty
84		Clear-out Mount	2
85	8SFDD06-12D	Hex Washer Screw	2
86	8WS-06D	Washer	2
87	8WF-06D	Flat Washer	2
88	NO	without this part	0
89	8NG-08D	Nut	1
90	8NG-08D	Nylon Locknut	1
91	8342-765001	Extension Spring	1
92	8206-765001	Shoulder Screw	1
93	8NG-10D	Nylon Locknut	1
94	8202-765008	Saddle Washer	1
95	8SFDD08-40D	Hex Washer Screw	1
96	8WF-08D	Flat Washer	1
97	8181-765001	Auger Idler Arm	1
98	8063-765901	Jacket Tube	1
99	8121-955101	Flat Idler	1
100	8WF-08D	Flat Washer	1
101	8WS-08D	Washer	1
102	8NG-08D	Nylon Locknut	1
103	8NG-08D	Nylon Locknut	5
104	8WF-08D	Flat Washer	5
105	8144-765902	Chute Adapter	1
106	8186-765903	Stay	1
107	8144-765903	Rotator	1
108	8144-765904	Holder	1
109	8SLJD06-16D	Square Neck Bolt	3
110	8WF-06D	Flat Washer	3
111	8NG-06D	Nylon Locknut	3
112	8001-500101	Lever	1
113	8SJAD04-16D	Screw	2

Ref. No.	Part No.	English Name	Q'ty
114	8NA-04D	Locknut	2
115	8313-501002	M8 Knob	2
116	8WF-08D	Flat Washer	2
117	8SLJD08-30D	Square Neck Bolt	2
118	8087-501201	Connector	1
119	8104-501203	Middle Discharge Chute	1
120	8104-501202	Upper Discharge Chute	1
121	NO	without this part	0
122	8SFDD010-20D	Hex Washer Screw	1
123	8WS-10D	Washer	2
124	8WF-10D	Flat Washer	2
125	8210-765003	Ball Bearing	2
126		Friction Wheel Assembly	1
126-1	8SFDD06-12D	Hex Washer Screw	6
126-2	8024-765008	Friction Plate	2
126-3	8334-765502	Friction Wheel Hub	1
126-4	SJ-013D	Friction Rubber Ring	1
126-5	8NG-06D	Nylon Locknut	6
126-6	8331-765002	Friction Wheel Bearing Assembly	1
126-7	8CC-35B	Moving Plate	1
127	8085-765501	Hex Wheel Drive Shaft	1
128	8NG-10D	Nylon Locknut	1
129	8NG-08D	Nylon Locknut	1
130	8WS-08D	Washer	1
131	8WF-08D	Flat Washer	1
132	8121-765001	Flat Idler	1
133	8063-765001	Flange Bearing	1
134	8206-765003	Hex Screw	1
135	8181-765003	Drive Clutch Idler Bracket	1

Ref. No.	Part No.	English Name	Q'ty
136	8SFDD08-40D	Hex Washer Screw	1
137	8SFDD08-20D	Hex Washer Screw	2
138	8342-765003	Extension Spring	1
139	8WF-06D	Flat Washer	2
140	8WS-06D	Washer	2
141	8SFDD06-12D	Hex Washer Screw	2
142	8024-765901	Belt Cover	1
143	8550-755901	Engine	1
144	8WF-08D	Flat Washer	4
145	8WS-08D	Washer	4
146	8NG-08D	Nylon Locknut	4
147	8SFDD08-20D	Hex Washer Screw	1
148	8WS-08D	Washer	1
149	8WF-08D	Flat Washer	1
150	8343-765006	Belt Keeper	1
151	8186-765906	Back Cable Bracket	2
152	8WS-06D	Washer	4
153	8SFDD06-16D	Hex Washer Screw	4
154	8144-765901	Frame Assembly	1
155	8NG-06D	Nylon Locknut	1
156	8WF-06D	Flat Washer	1
157	8SFDD06-30D	Hex Washer Screw	1
158	8183-765901	Frame Cover	1
159	8SFDD06-12D	Hex Washer Screw	8
160	8281-765501	Dowel Pin	2
161	8021-765905	12" Wheel	1
162	NO	without this part	0
163	8334-765503	Hex Flange Bearings	2
164	8081-765501	Shaft	1
165	8PB50-32B	Cottor Pin	1

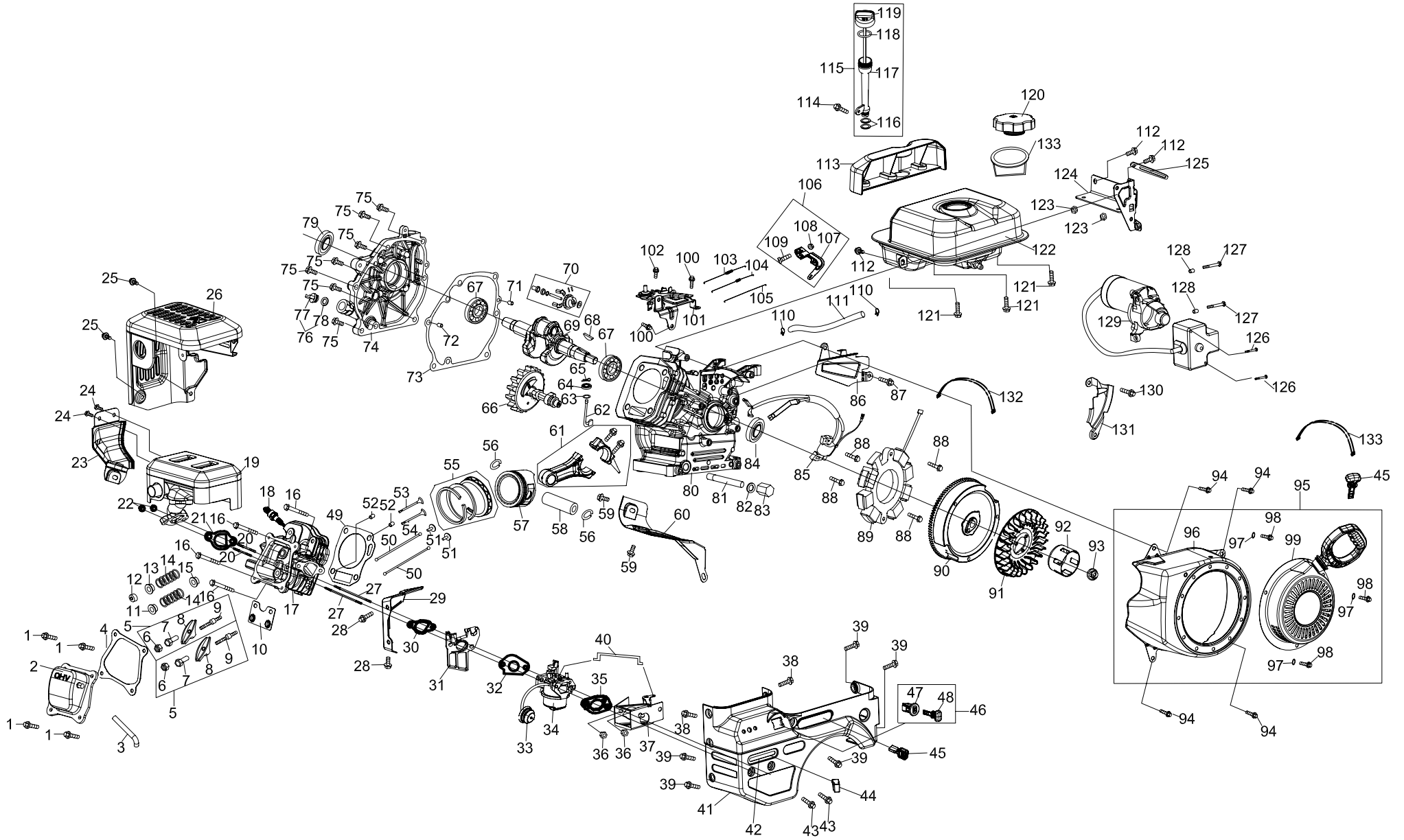


550

PARTLIST STROJE

Refe. No.	Part No.	English Name	Q'ty
166		Semicircular Key	1
167	8123-765501	Big Gear	1
168	8SJAB40-10B	Tapping Screw	3
169	8334-765701	Spacer	1
170	8186-765702	Support Tray	1
171	8063-765702	Shift Cable Control Plate	1
172	8PA06-30D	Cotter Pin	1
173	8186-765701	Drive Cable Bracket	1
174	8WF-08D	Flat Washer	2
175	8WS-08D	Washer	2
176	8SFDD08-20D	Hex Washer Screw	2
177	8370-765901	Reverse Cable Control	1
178	8370-765902	Forward Cable Control	1
179	8SFDD08-20D	Hex Washer Screw	4
180	8WS-08D	Washer	4
181	8WF-08D	Flat Washer	4
182	8001-765903	Lower Handle	1
183	8001-765901	U Screw	2
184	8WT-08D	Saddle Washer	2
185	8313-501002	Knob	2
186	8001-765903	Upper Handle	1
187	8NG-06D	Nylon Locknut	2
188	8291-765901	Cable Seat	1
189	8SFDD06-30D	Hex Washer Screw	2
190	8370-765903	Auger Cable Control	1
191	8370-765904	Drive Cable Control	1
192	8001-765907	Drive Control	1
193	8NG-08D	Nylon Locknut	2
194	8WF-08D	Flat Washer	1
195	8342-765903	Pressure Spring	1

Refe. No.	Part No.	English Name	Q'ty
196	8331-765901	Foam Rubber Sleeve	1
197	8001-765906	Auger Control	1
198	8186-765901	Shift Handle	1
199	8SJAB40-10B	Tapping Screw	1
200	8063-765704	Grip	1
201	NO	Shift Cable Adapter	1
202	8186-765902	Shift Control Bracket	1
203	8SFDD08-30D	Hex Washer Screw	1
204	8SFDD08-20D	Hex Washer Screw	1
205	8202-765901	Insert	1
206	8292-765901	Joint Supportor	1
207	8NG-06D	Nylon Locknut	1
208	8WF-06D	Flat Washer	1
209	8SFDD06-16D	Hex Washer Screw	1
210	8343-765902	Lower Belt Keeper	1





550

PARTLIST MOTORU

NO.	PART No.	Description	Qt
1	B057890006001670B	BOLT M6x16	4
2	11221-LC90-0100	VALVE COVER	1
3	12104-LG10-0000	BREATHER HOSE	1
4	90229-KB01-0400	VALVE COVER GASKET	1
5	15400-LC90-0001	ROCKER ARM ASSEMBLY	2
6	15414-KB01-0000	NUT PIVOT LOCKING	2
7	15403-KB01-0000	ADJUSTING NUT ,VALVE	2
8	15401-LC90-0001	ROCKER ARM	2
9	15415-KB01-0000	BOLT PIVOT	2
10	15406-KB01-0000	PUSH ROD GUIDE	1
11	15711-KB01-0000	RETAINER IN.VALVE SPRING	1
12	15713-KB01-0000	ADJUSTER EXH VALVE	1
13	15712-KB01-0000	RETAINER EX.VALVE SPRING	1
14	15703-KB01-0000	VALVE SPRING	2
15	1572B-KB03-0000	INTAKE VALVE SEAL	1
16	B0578900080055S0B	BOLT M8x55	4
17	1122B-LG10-0000	CYLINDER HEAD	1
18	81300-KB01-0400	SPARK PLUG/F6RTC	1
19	18000-LG10-0000	MUFFLER ASSEMBLY	1
20	91138-KB03-0300	STUD M8x36	2
21	18066-LC90-0000	EXHAUST PIPE GASKET	1
22	B061700008000000B	NUT M8	2
23	18016-LC90-0000	EXHAUST PIPE SHIELD	1
24	B057890006001070H	BOLT M6x10	2
25	B057890006001270B	BOLT M6x12	2
26	18002-LG10-0000	MUFFLER SHIELD	1
27	91127-JD45-0000	STUD	2
28	B057890006001270B	BOLT M6x12	2
29	61179-LG10-0000	PLATE	1

NO.	PART No.	Description	Qt
30	17107-LC90-0000	CARBURETOR INSULATOR GASKET	1
31	17112-KB01-0000	CARBURETOR INSULATOR	1
32	17182-KB01-0200	CARBURETOR GASKET	1
33	17140-IC77-0200	PRIMER ASSEMBLY	1
34	17100-LG10-0000	CARBURETOR ASSEMBLY	1
35	17183-LC90-0000	GASKET	1
36	B061770106000060B	NUT M6	2
37	16140-LG10-0000	HEATER BOX	1
38	B057890006001270B	BOLT M6x12	2
39	B057890006001670B	BOLT M6x16	5
40	24635-LG10-0000	CHOKE PUSH ROD	1
41	16155-LG10-0000	AIR CLEANER HOUSING	1
42	12426-LG10-0000		1
43	B057890006001870B	BOLT M6x18	2
44	24633-QE88-0000	CHOKE KNOB	1
45	2461N-LC90-0000	THROTTLE CONTROL KNOB	1
46	72380-LC90-0000	KEY SWITCH	1
47	72381-LC90-0000	KEY SWITCH BASE	1
48	72382-LC90-0000	KEY	2
49	9022B-LC90-0000	GASKET CYLINDER HEAD	1
50	15321-LC90-0000	PUSH ROD	2
51	15002-LC90-0000	TAPPET	2
52	91521-10001600000	DOWEL PIN 10x16	2
53	15702-LC90-0000	EXHAUST VALVE	1
54	15701-KC67-0000	INTAKE VALVE	1
55	1310A-JC79-0000	PISTON RING SET	1
56	13105-KB01-0000	PISTON PIN SNAP RING	2
57	13101-KC89-0000	PISTON	1

NO.	PART No.	Description	Qt
58	13102-KC89-0000	PISTON PIN	1
59	B057890006001270B	BOLT M6x12	2
60	19113-LC90-0000	AIR SHIELD	1
61	13220-LC90-0000	CONNECTING ROD ASSEMBLY	1
62	24605-LC90-0000	GOVERNOR ARM SHAFT	1
63	90101-10052000190	WASHER 5.2x1.9	1
64	T1101006001100400	GOVERNOR SEAL	1
65	24606-KB01-0000	COTTER PIN	1
66	15100-LC90-0000	CAMSHAFT ASSY.	1
67	92102-00000006205	RADIAL BALL BEARING 6205	2
68	91601-IB84-0000	WOODRUFF KEY	1
69	13230-LC90-C100	CRANKSHAFT ASSEMBLY	1
70	24620-LC90-0000	GOVERNOR GEAR/SHAFT ASSEMBLY	1
71	91521-07001400000	DOWEL PIN 7x14	1
72	91521-09001400000	DOWEL PIN 9x14	1
73	90208-LC90-0100	CRANKCASE COVER GASKET	1
74	12301-LC90-0002	COVER COMP LEFT CRANK-CASE	1
75	B057890008003270B	BOLT M8x32	7
76	14311-LC90-0000		1
77	14312-LC90-0000	OIL FILLER PLUG	1
78	90101-10158000250	O-RING 15.8x2.5	1
79	T1108025004125600	OIL SEAL 25x 41.25x6	1
80	12007-LG14-0000	CRANKCASE	1
81	12180-LC90-0100	OIL DRAIN PIPE ASSY.	1
82	91302-91001516000	WASHER 10x 16x1.5	1
83	91103-KB01-0000	OIL DRAIN PLUG	1
84	T1101025004125600	OIL SEAL 25x 41.25x6	1
85	81200-LC90-0800	IGNITION COIL ASSEMBLY	1



550

PARTLIST MOTORU

NO.	PART No.	Description	Qt
86	17184-LG10-0000	AIR FLOW SHIELD	1
87	B057890006001070B	BOLT M6x10	1
88	B057890006002570B	BOLT M6x25	4
89	82108-LC90-0100	COIL ASSY. CHARGE	1
90	82150-LC90-0800	FLYWHEEL	1
91	19102-KB01-0000	FAN COOLING	1
92	21520-KB01-0000	PULLEY STARTER	1
93	B061770F14000070B	NUT SPECIAL M14x1.5	1
94	B057890006001270B	BOLT M6x12	4
95	21500-LG10-00003W	RECOIL STARTER	1
96	21530-LG10-0000	BLOWER HOUSING	1
97	B000950006000000B	GASKET 6	3
98	B166740006001070B	BOLT M6x10	3
99	21510-LG10-0000	RECOIL STARTER	1
100	B057870006001070B	BOLT M6x10	2
101	24610-LG10-0000	PRIMER BRACKET	1
102	B057890006001270B	BOLT M6x12	1
103	24602-LG10-0000	GOVERNOR SPRING	1
104	24603-KB01-0000	THROTTLE LINKAGE SPRING	1
105	24604-LG10-0000	THROTTLE LINKAGE	1
106	24640-KB01-0000	GOVERNOR ARM ASSEMBLY	1
107	24607-KB01-0000	GOVERNOR ARM	1
108	B061770106000060B-1	NUT M6	1
109	91121-1060-02120B	GOVERNOR ARM BOLT	1
110	17020-JC79-0200	FUEL HOSE CLAMP	2
111	T299940630125230	FUEL HOSE	1
112	B057890006001270B	BOLT M6x12	3
113	14304-LG10-0000	DIPSTICK DECORATION COVER	1
114	B057890006001270B	BOLT M6x12	1

NO.	PART No.	Description	Qt
115	14301-LC90-0500	DIPSTICK ASSEMBLY	1
116	90101-10155000150	OIL FILL TUBE O-RING	2
117	14313-LC90-0000	OIL FILL TUBE	1
118	90101-10210000277	OIL FILL TUBE O-RING	1
119	14312-LC90-0100	DIPSTICK GUAGE	1
120	61120-LC90-0001	FUEL CAP ASSEMBLY	1
121	B057870006001670B	BOLT M6x16	3
122	61100-LG10-00006Y	FUEL TANK ASSEMBLY	1
123	B061770106000060B	NUT M6	2
124	82258-LG10-0000	SWITCH HOUSING MOUNTING BRACKET	1
125	10008-9999-0100	CLIP	1
126	B008180004005500B	BOLT M4x55	2
127	B057870006003270B	BOLT M6x32	2
128	91521-08000800000	DOWEL PIN 8x8	2
129	82230-LG10-0100	STARTUP ELECTROMOTOR	1
130	B057890006001270B	BOLT M6x12	1
131	19112-LC90-0000	BLOWER HOUSING SHIELD	1
132	08216-9999-0900	BELT	2
133	61137-LC90-0100	FILTER	1